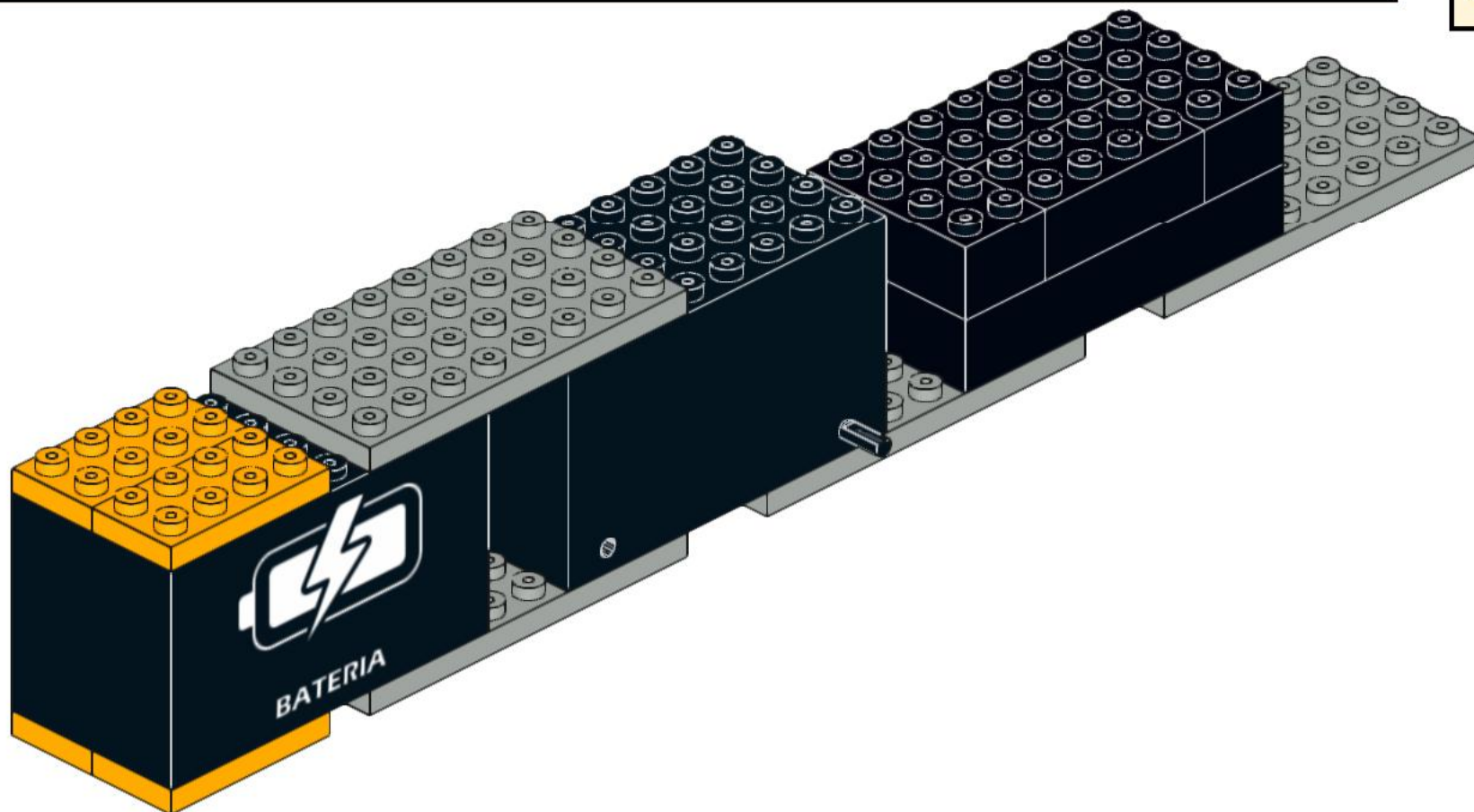
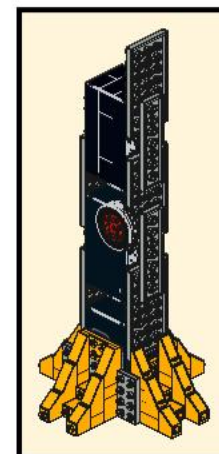
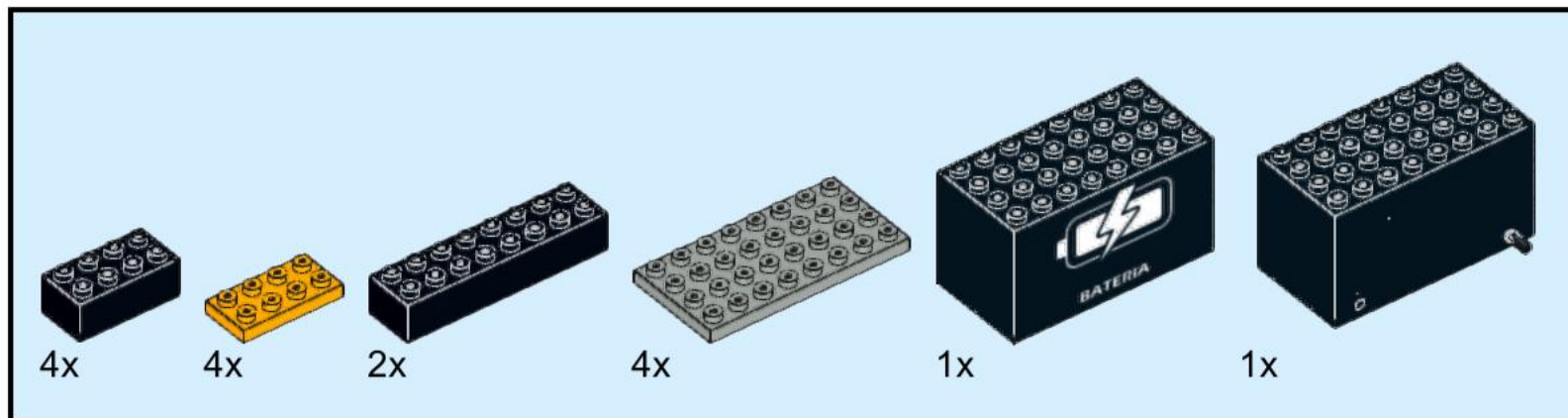
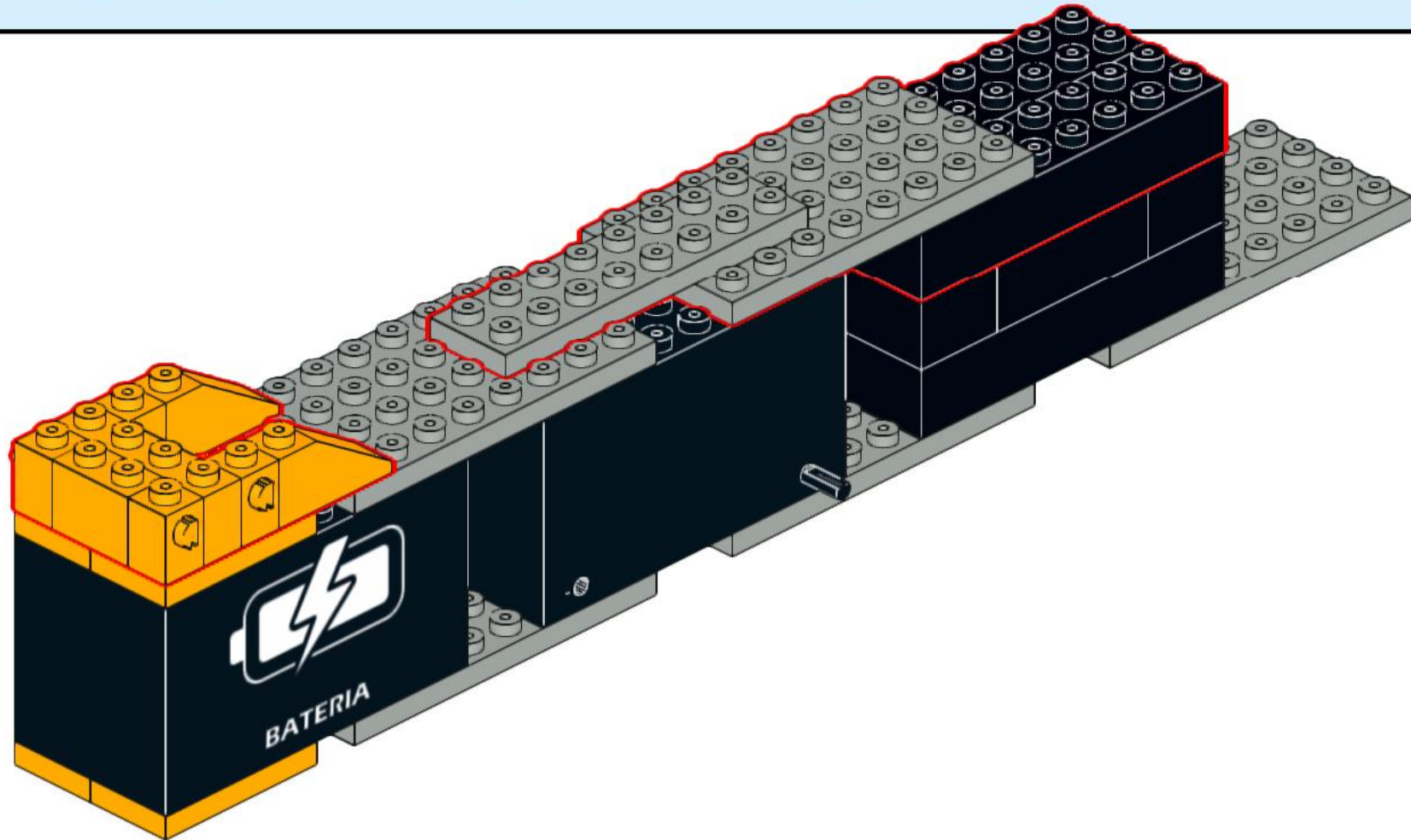
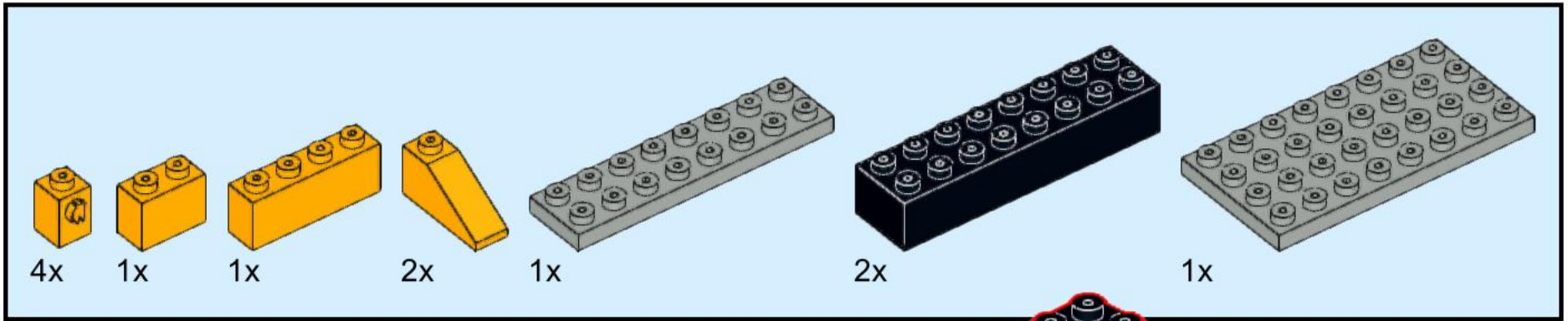




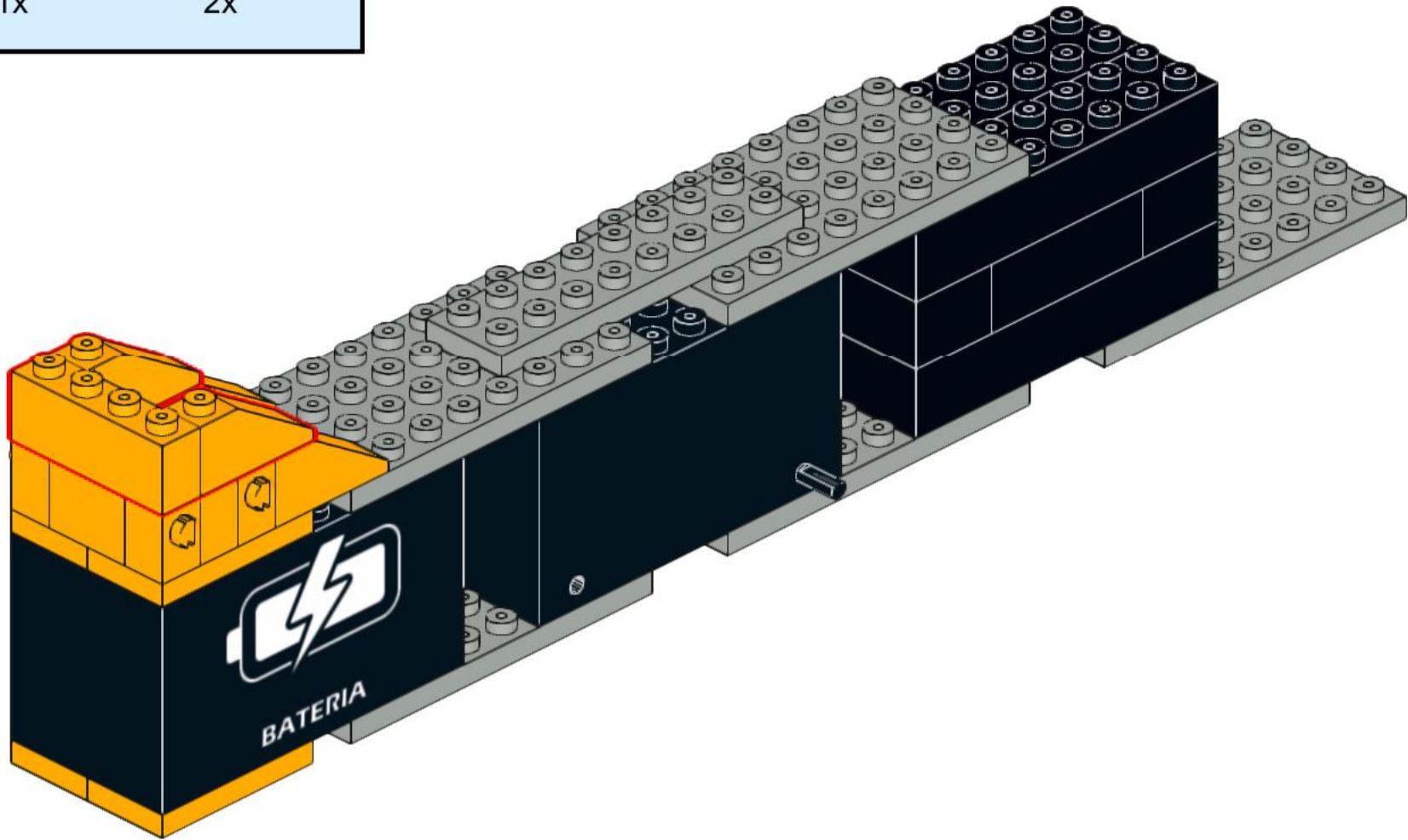
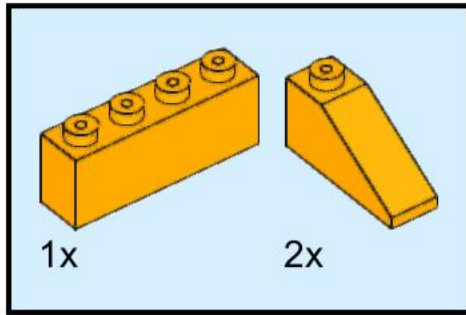
# 1



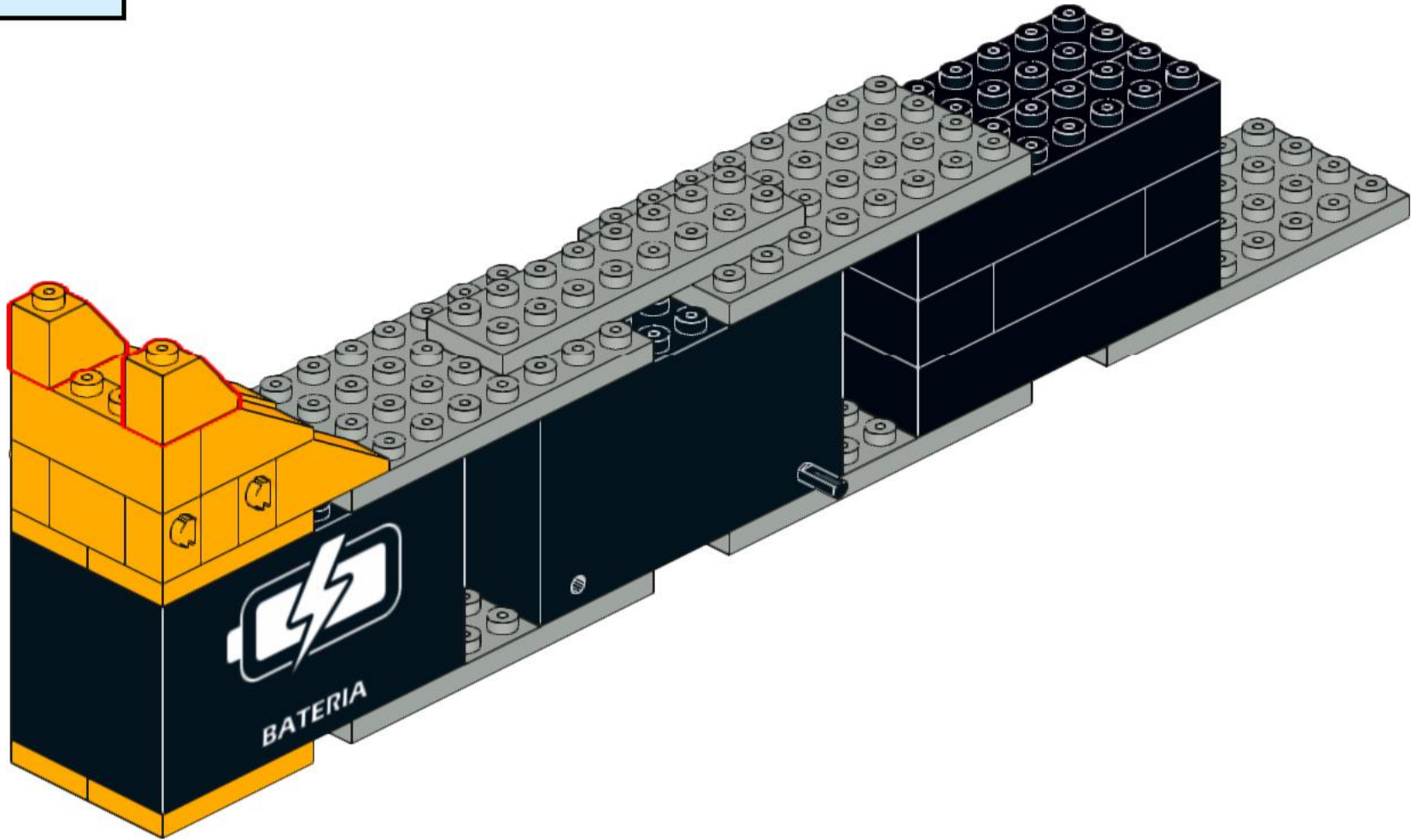
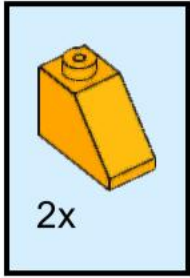
# 2



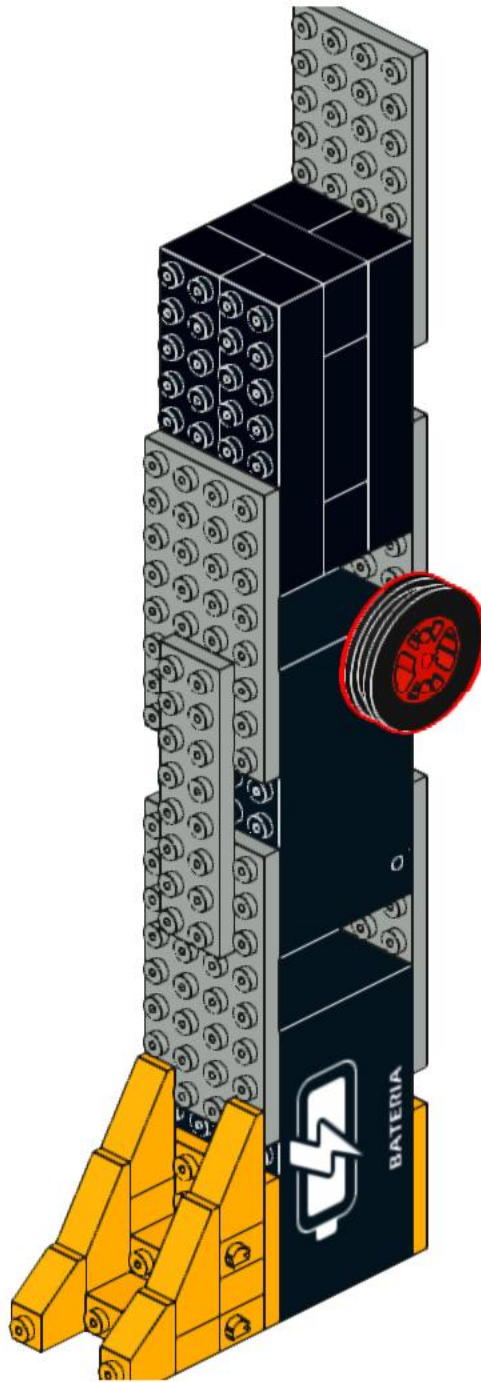
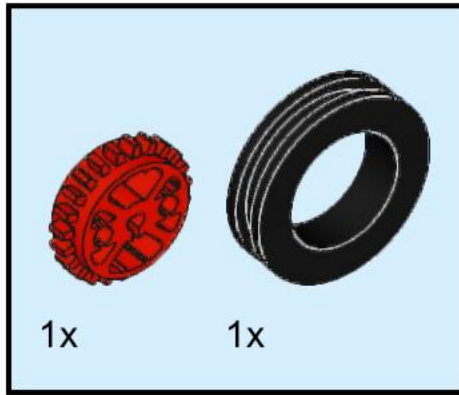
3



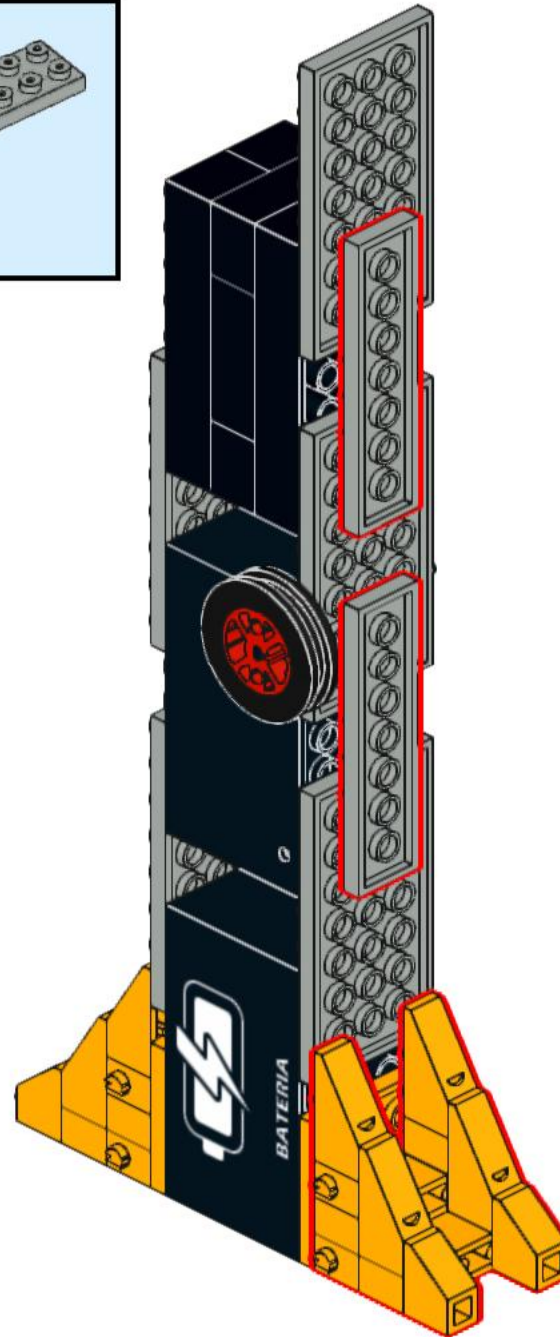
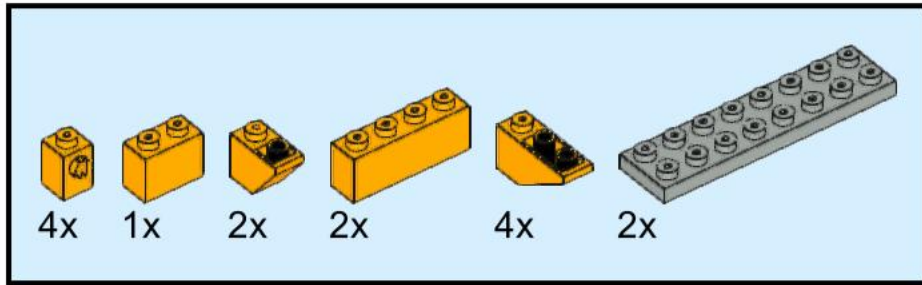
4



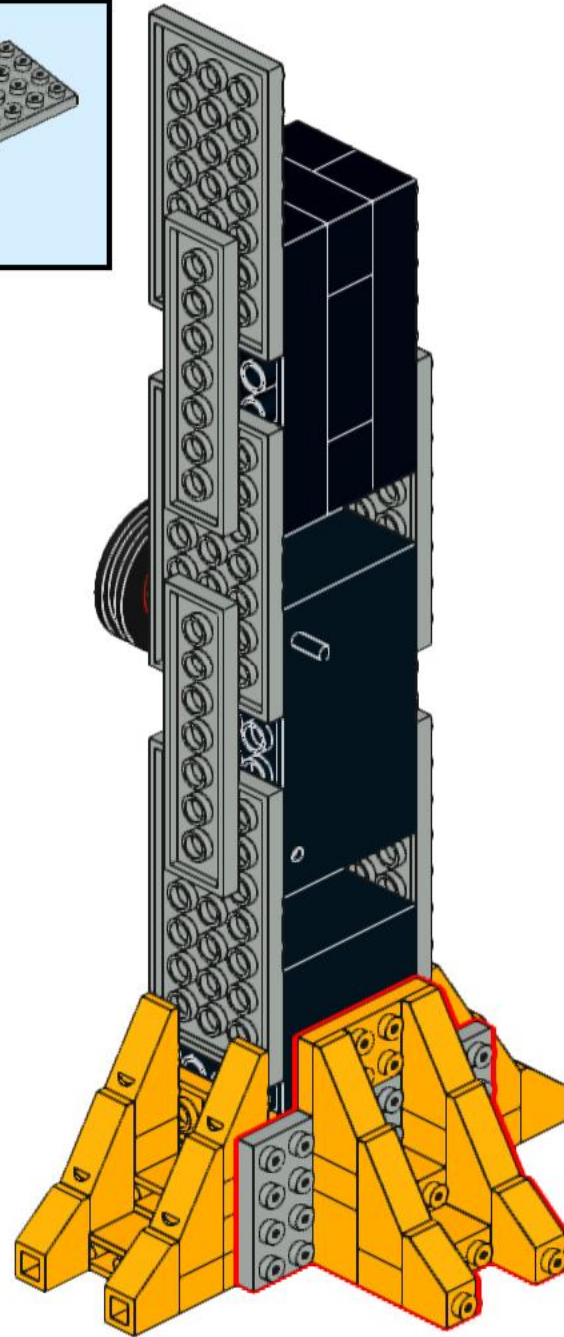
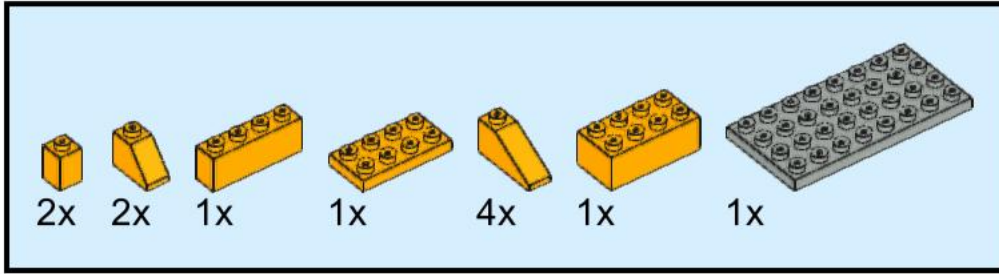
5



# 6

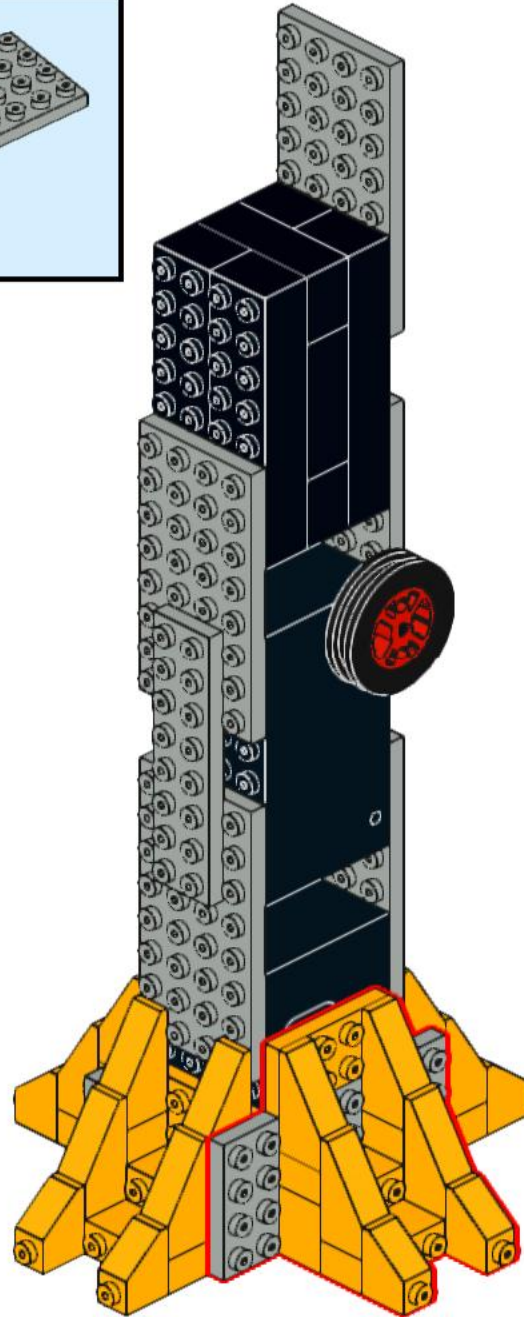
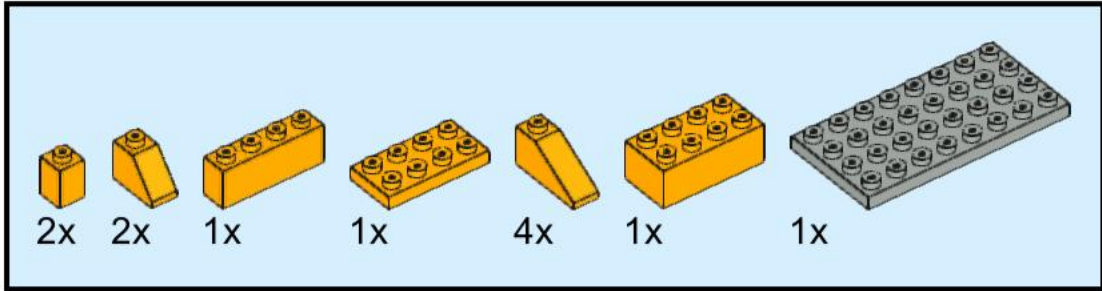


7

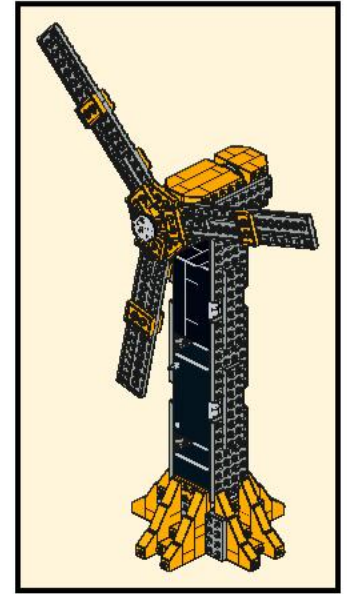
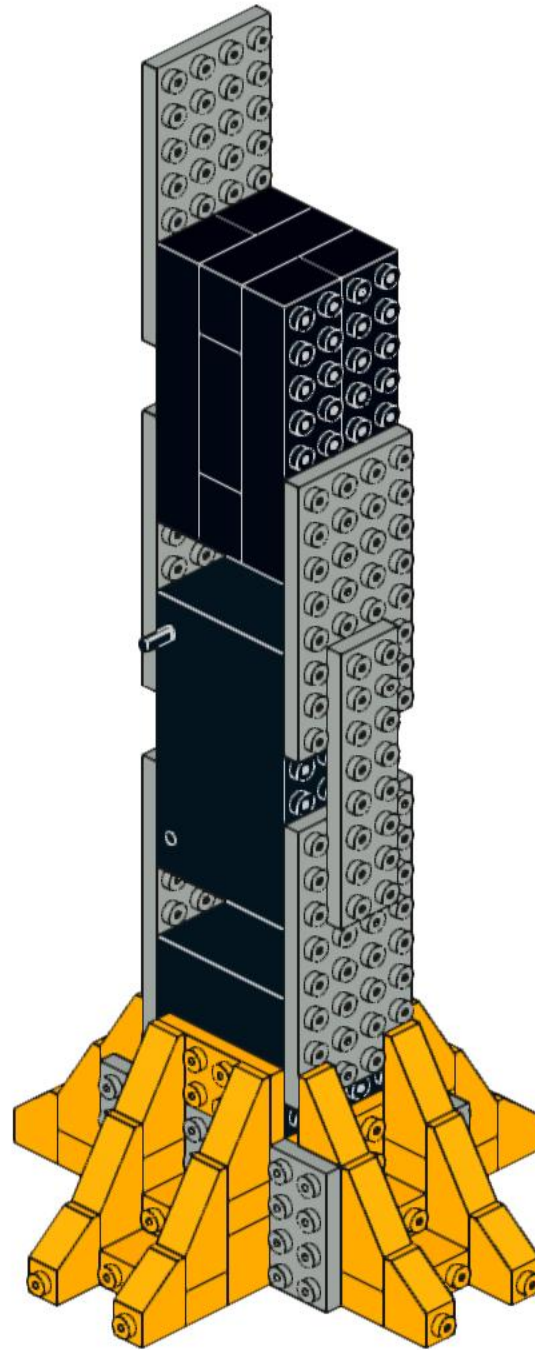




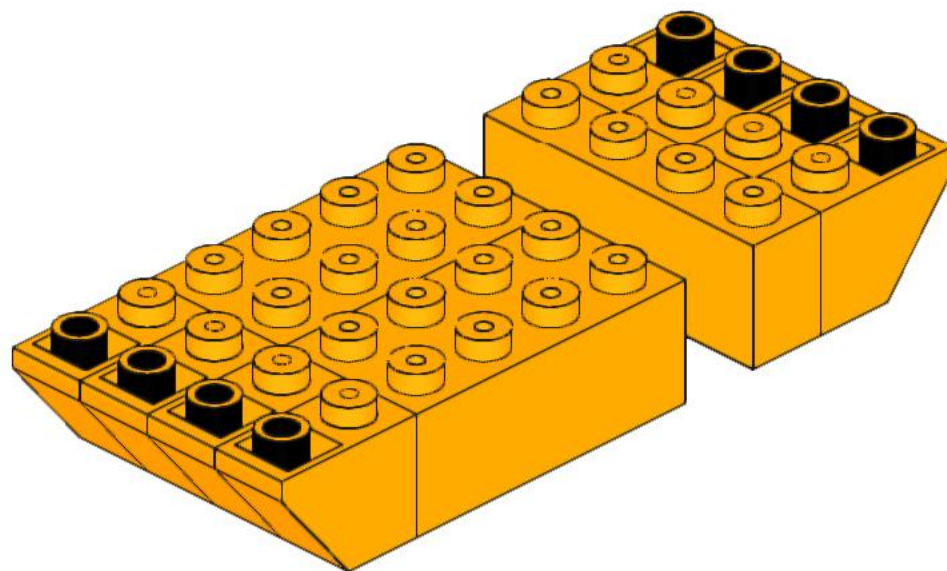
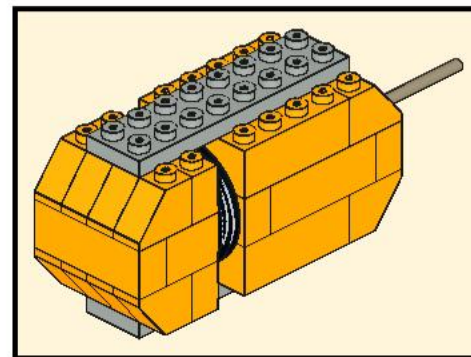
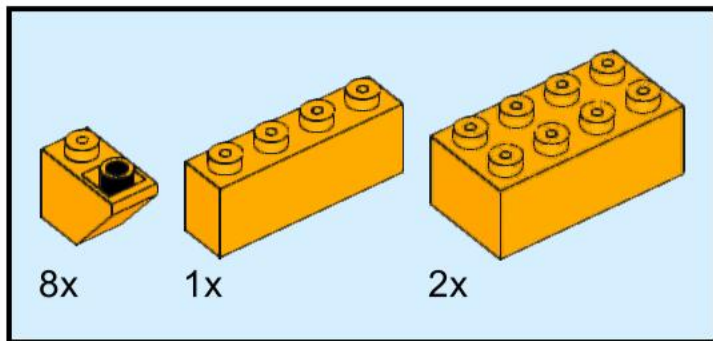
8



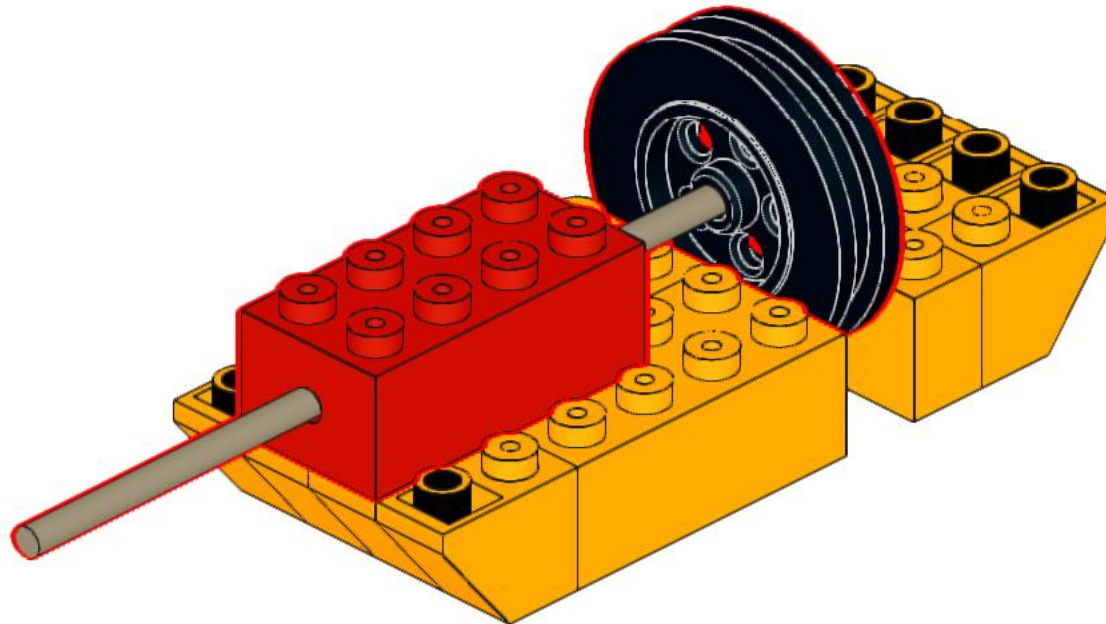
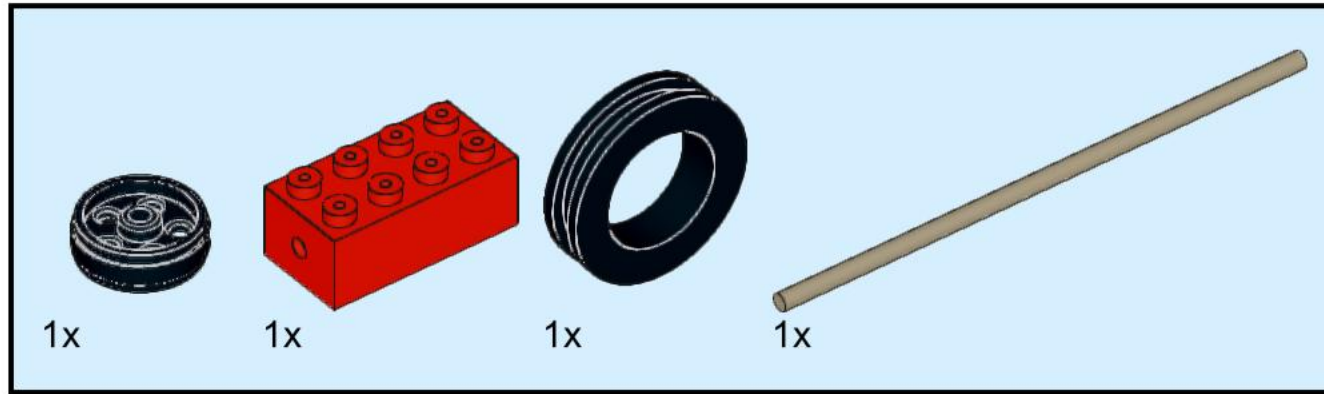
9



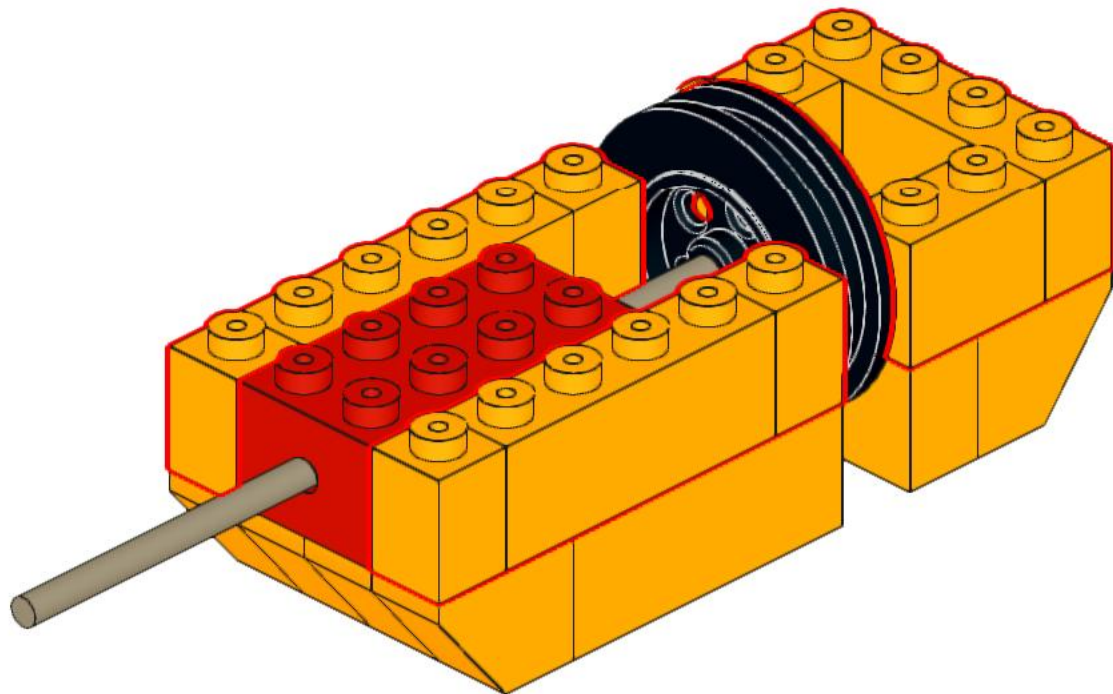
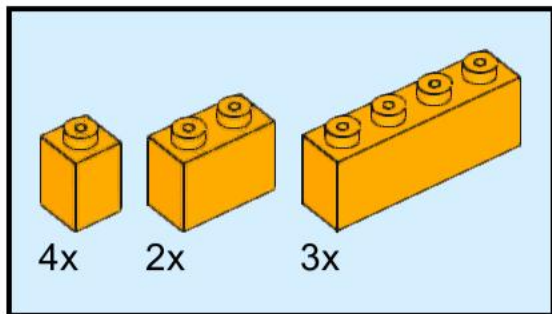
# 10



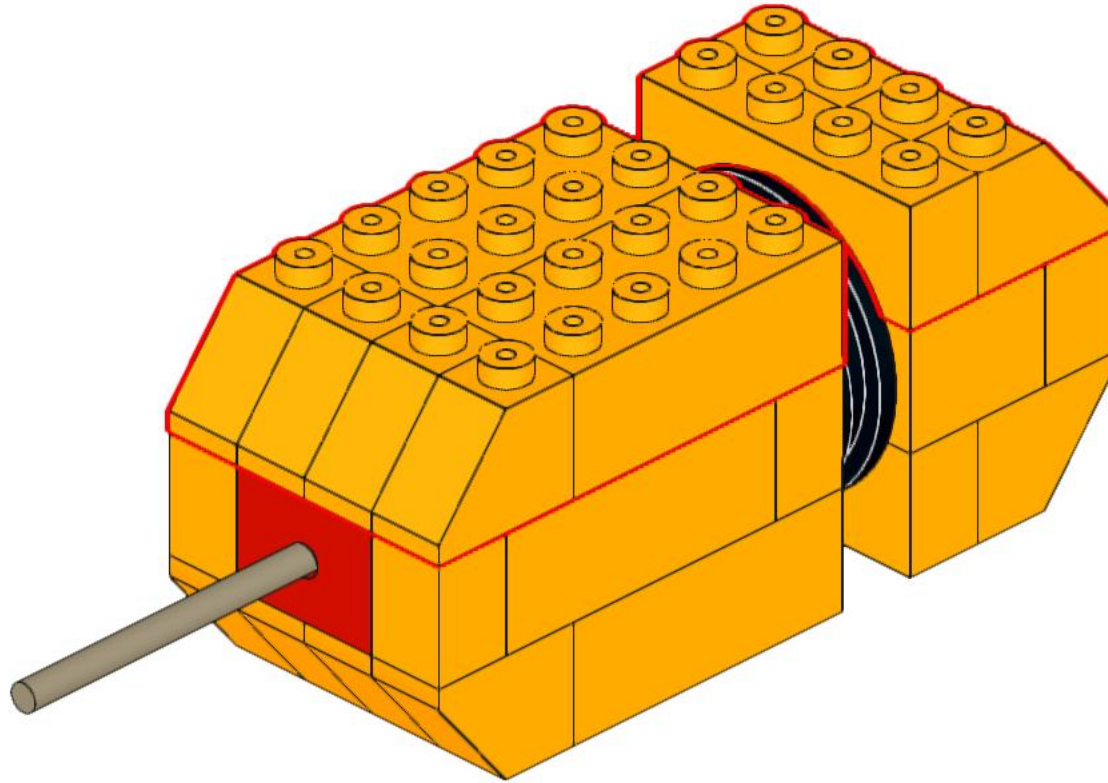
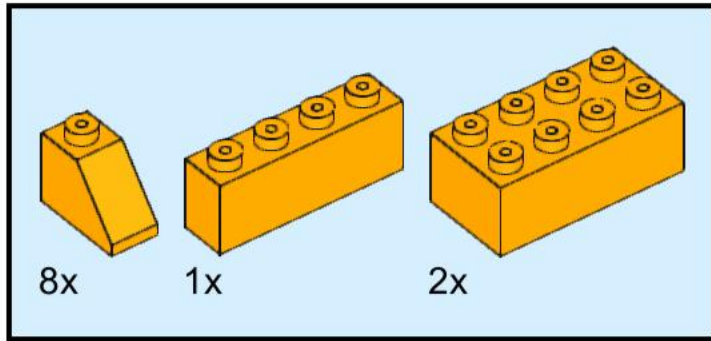
# 11



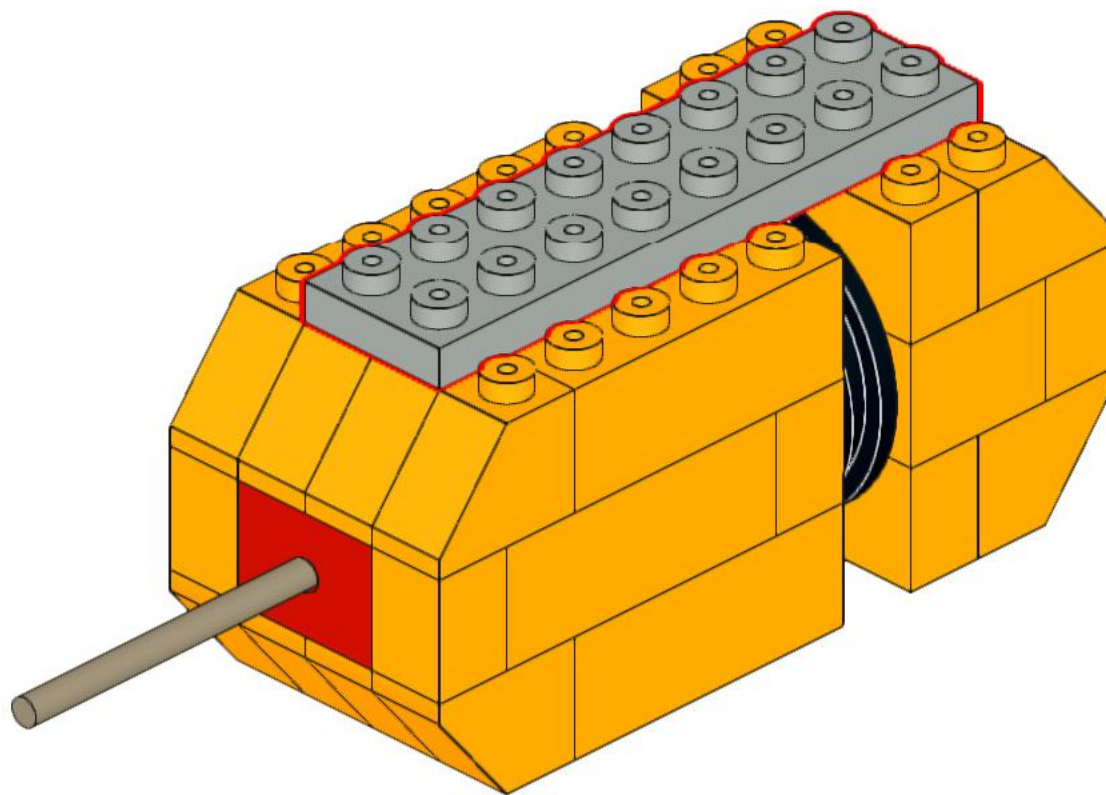
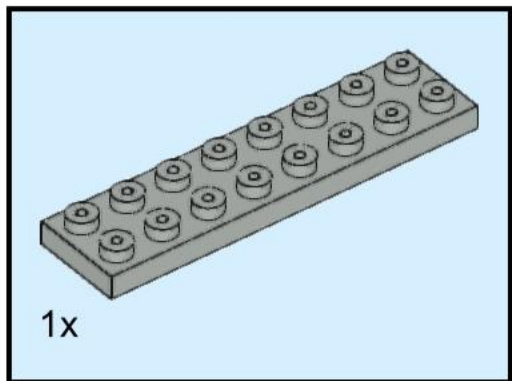
# 12



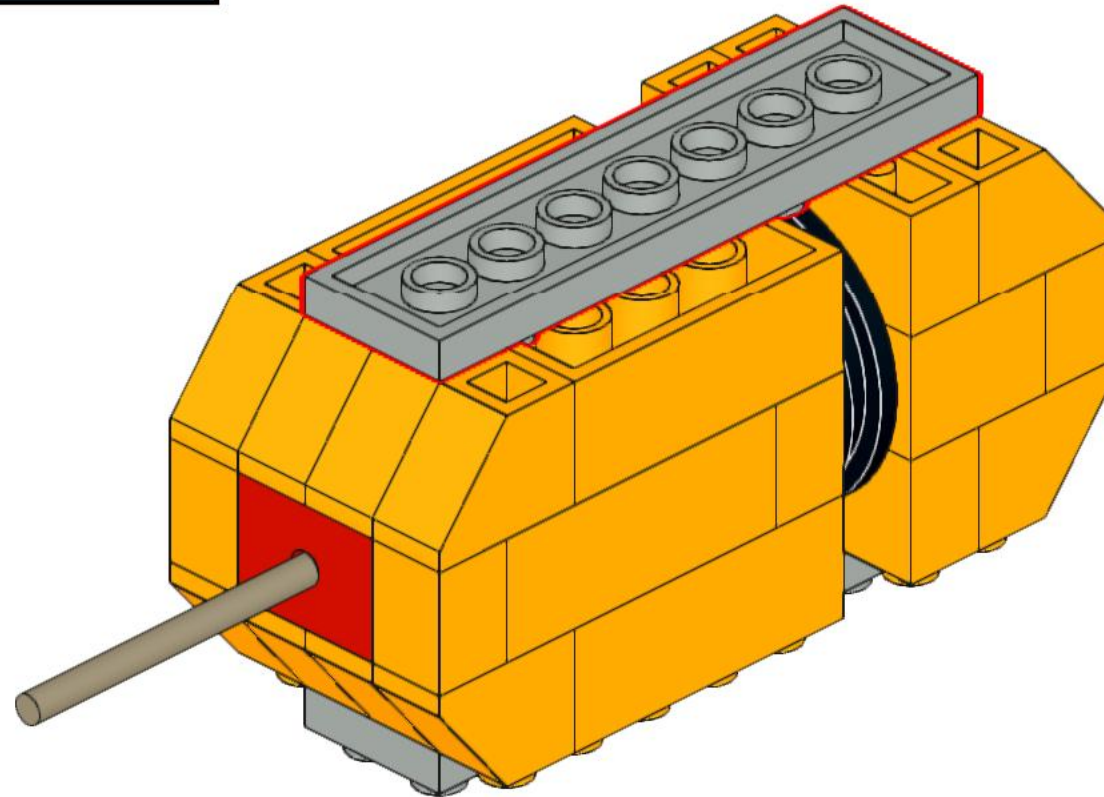
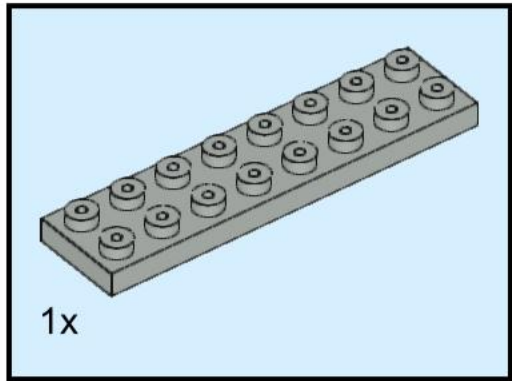
# 13



# 14

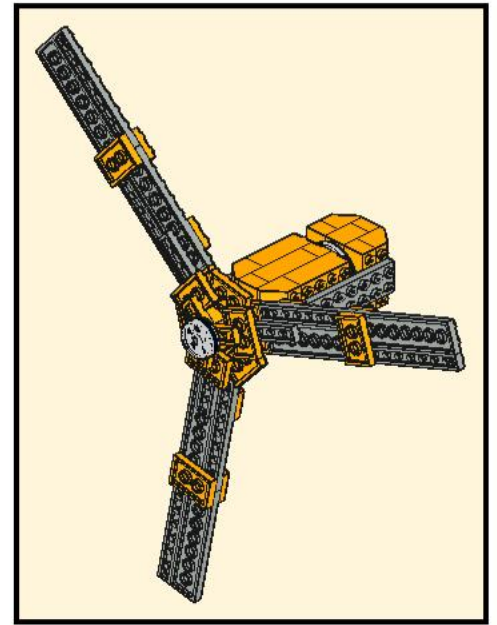
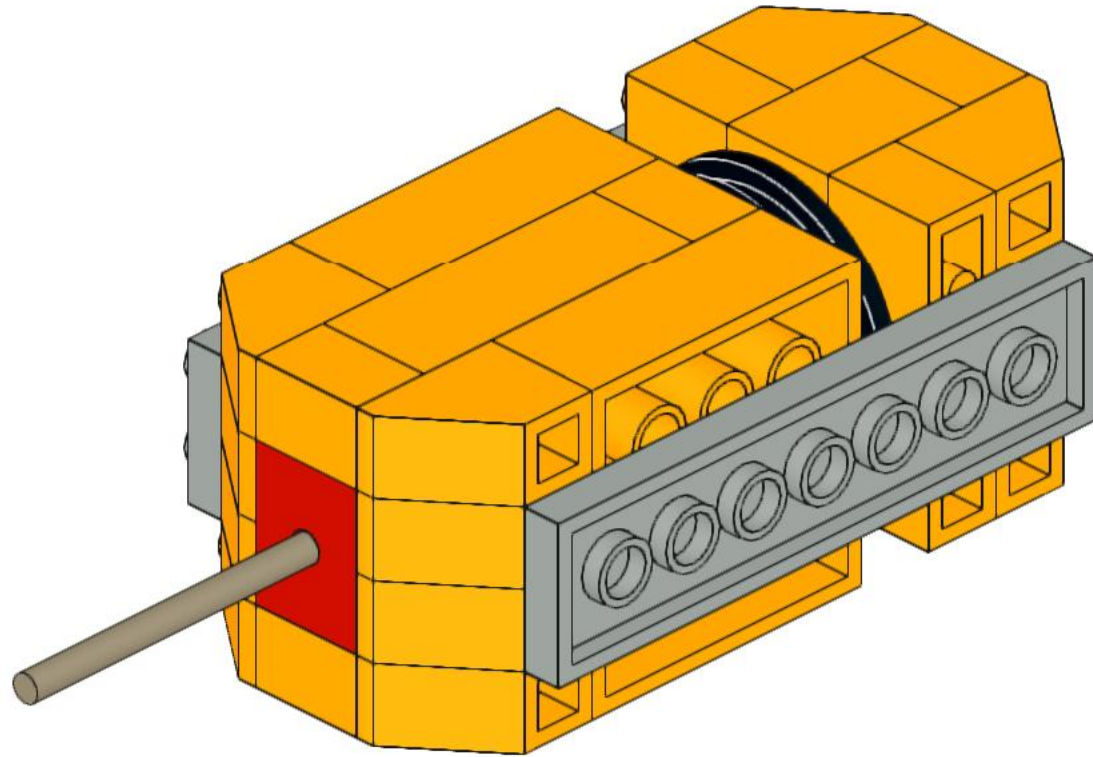


# 15

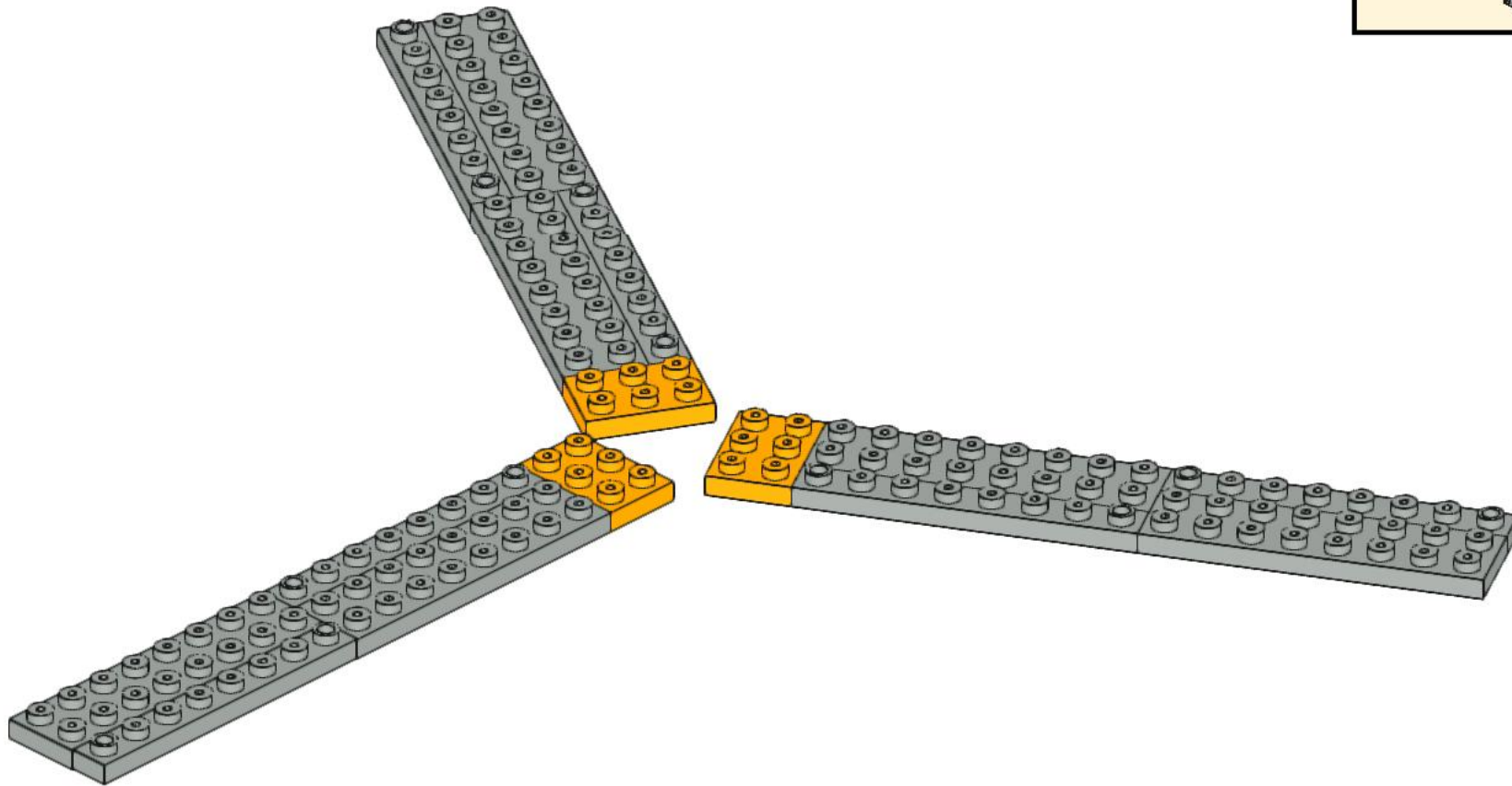
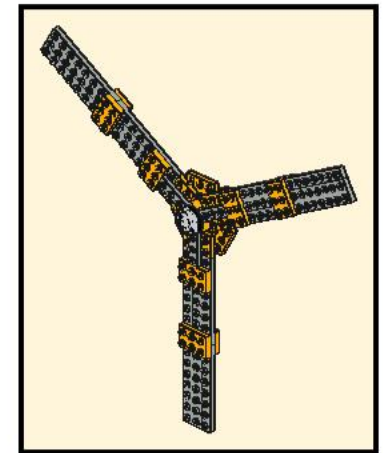
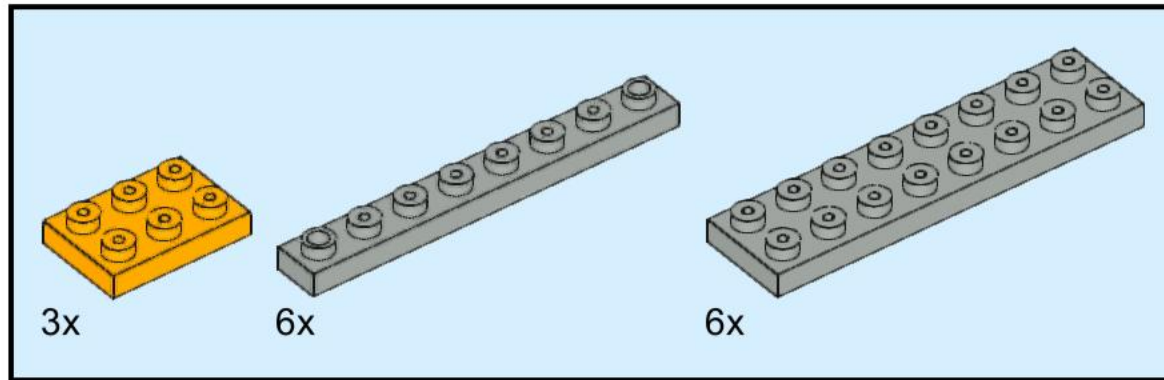




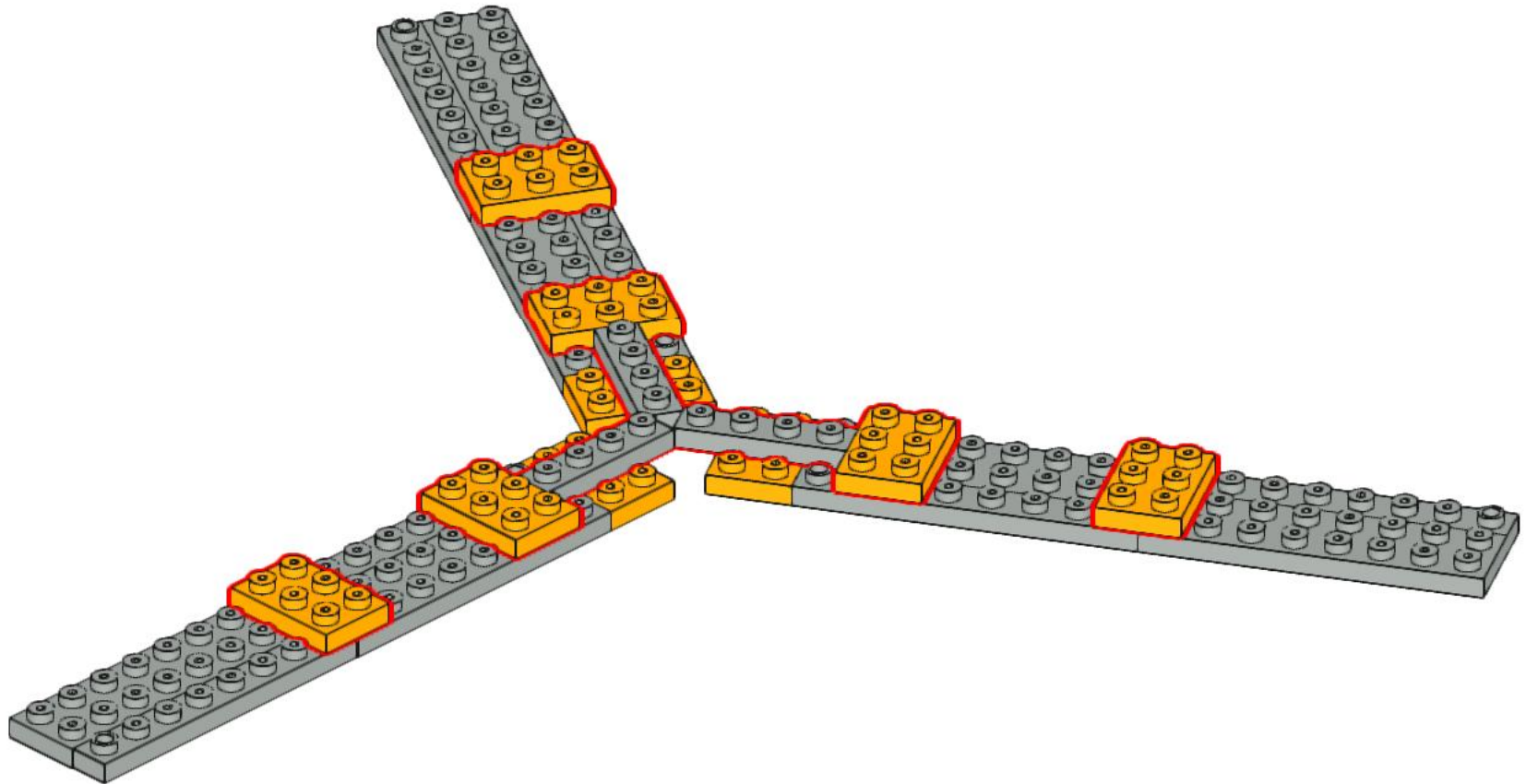
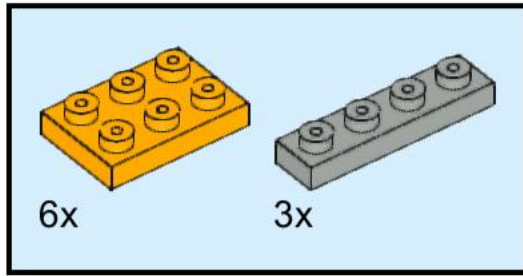
# 16



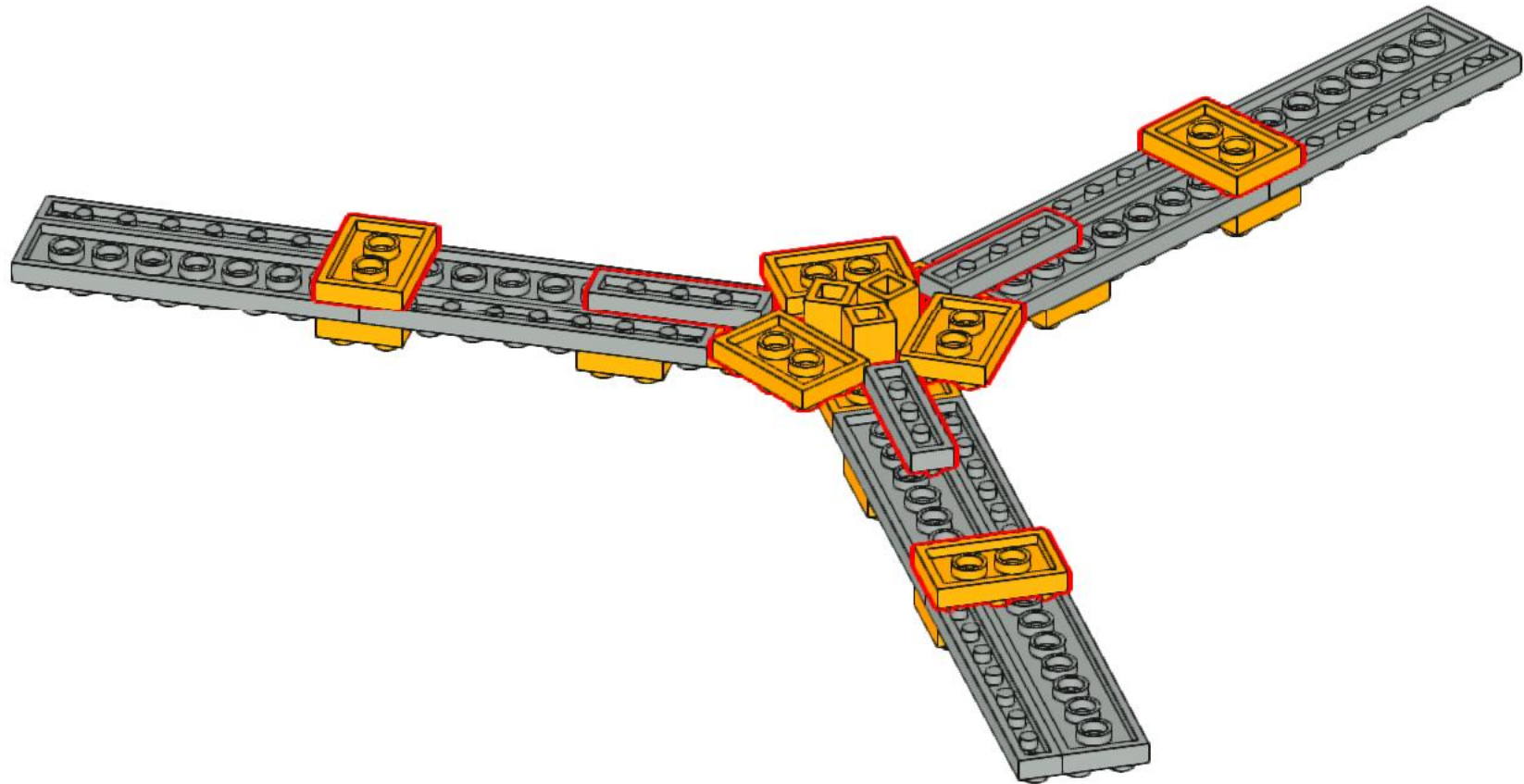
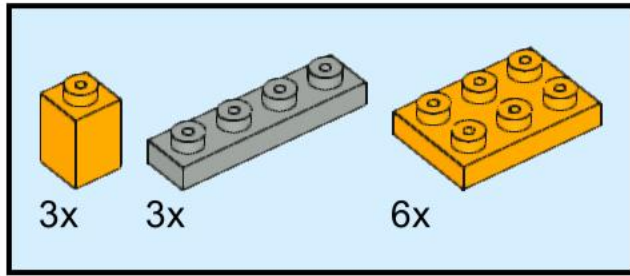
# 17



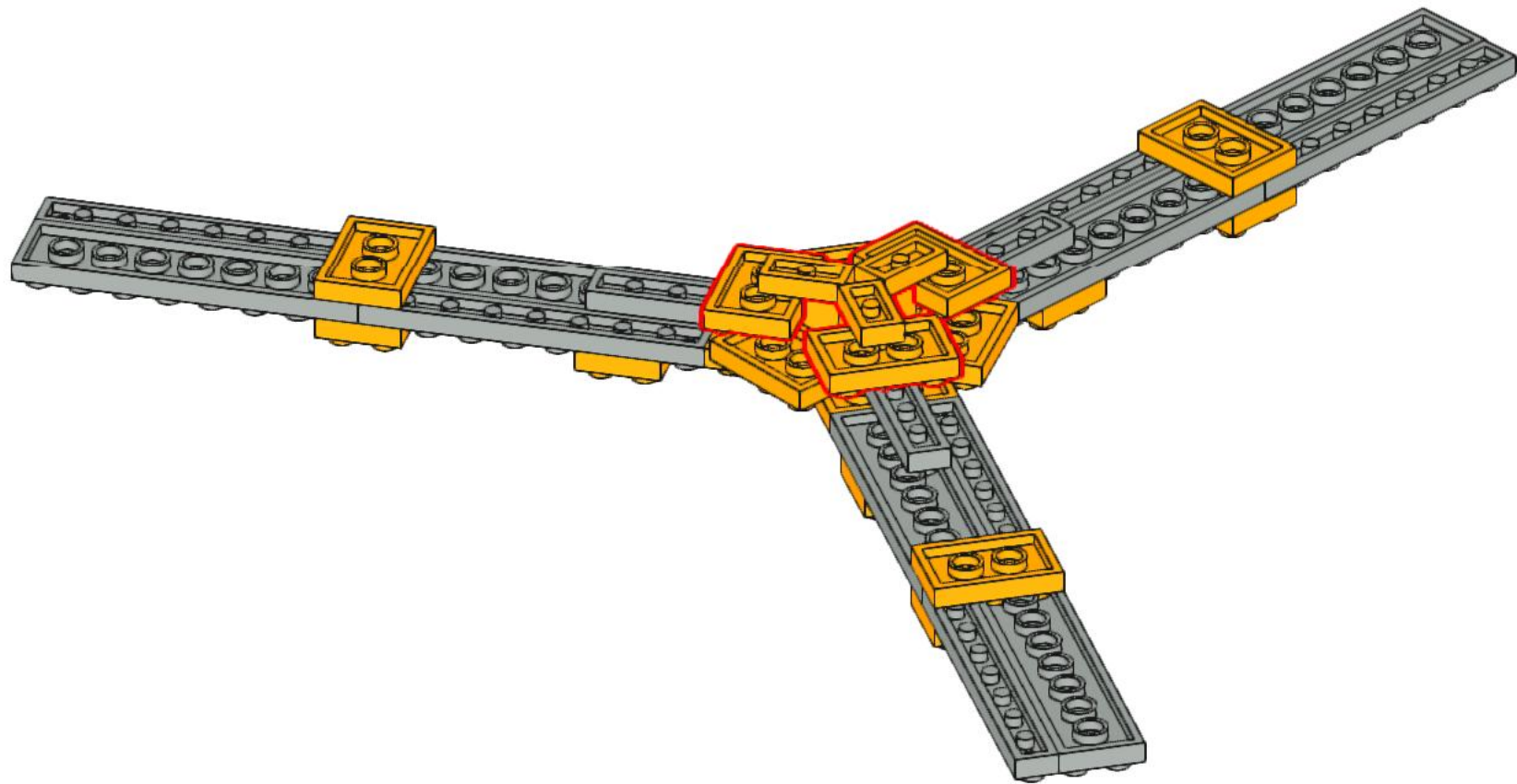
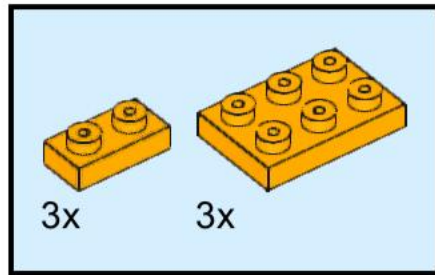
# 18



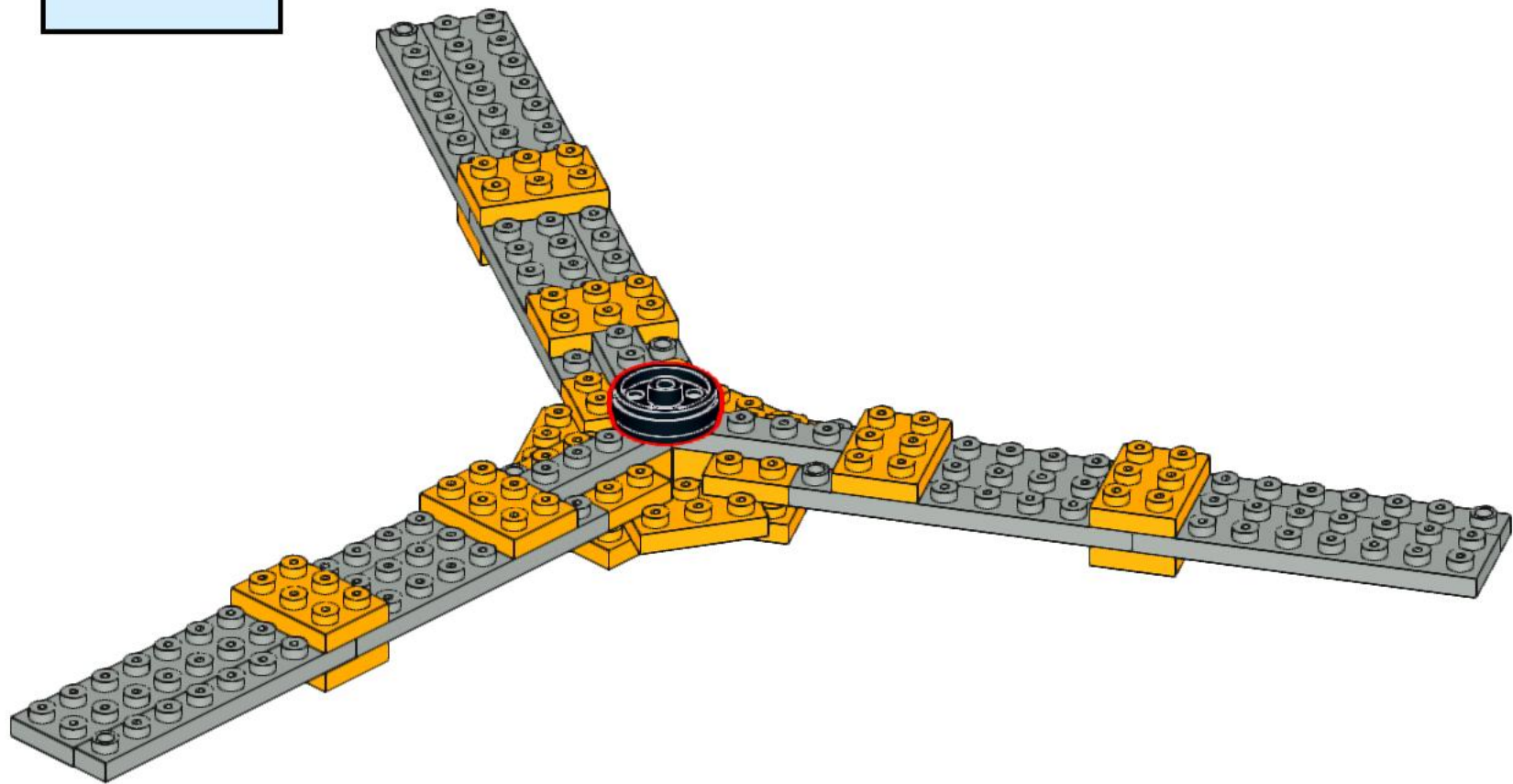
# 19



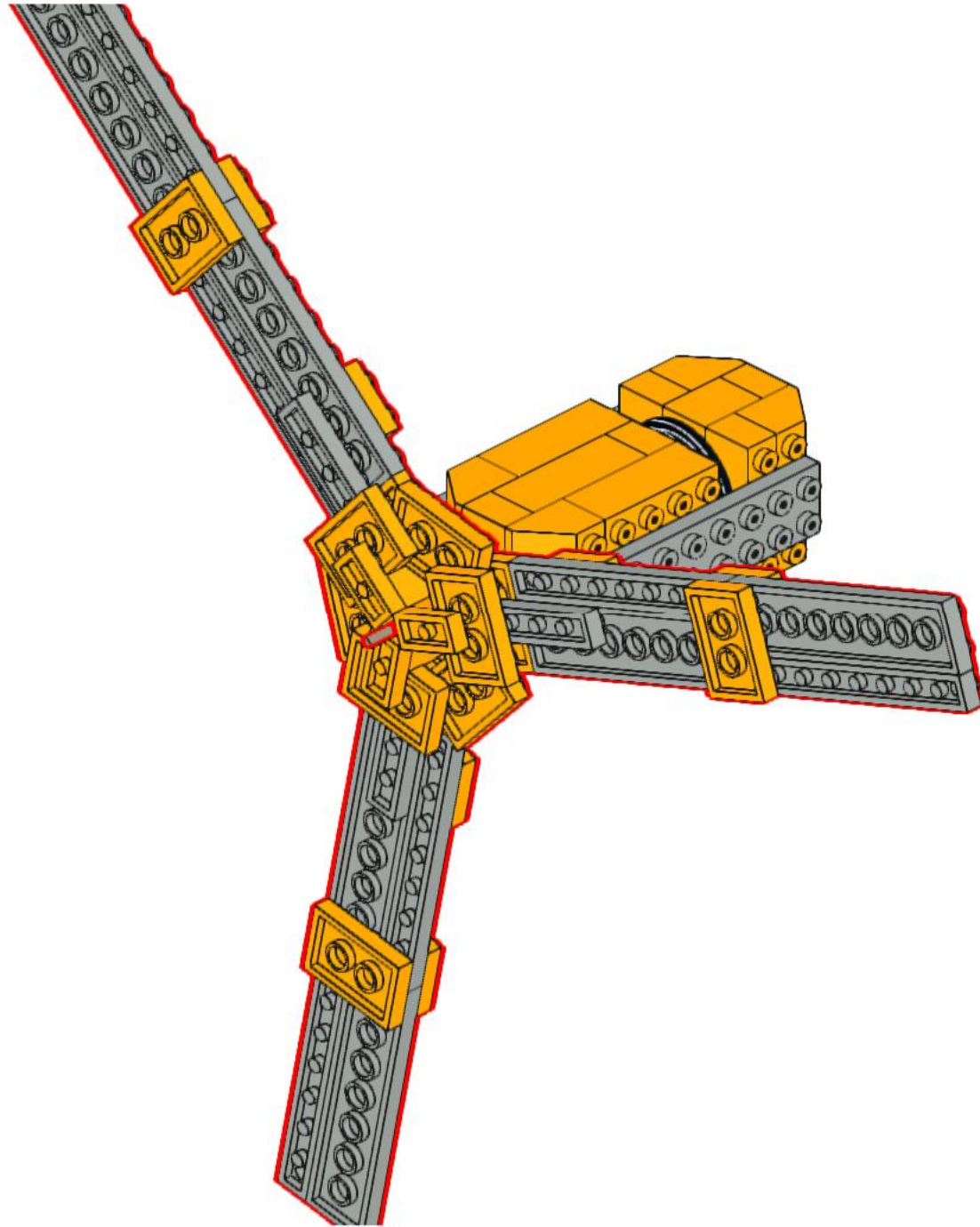
# 20



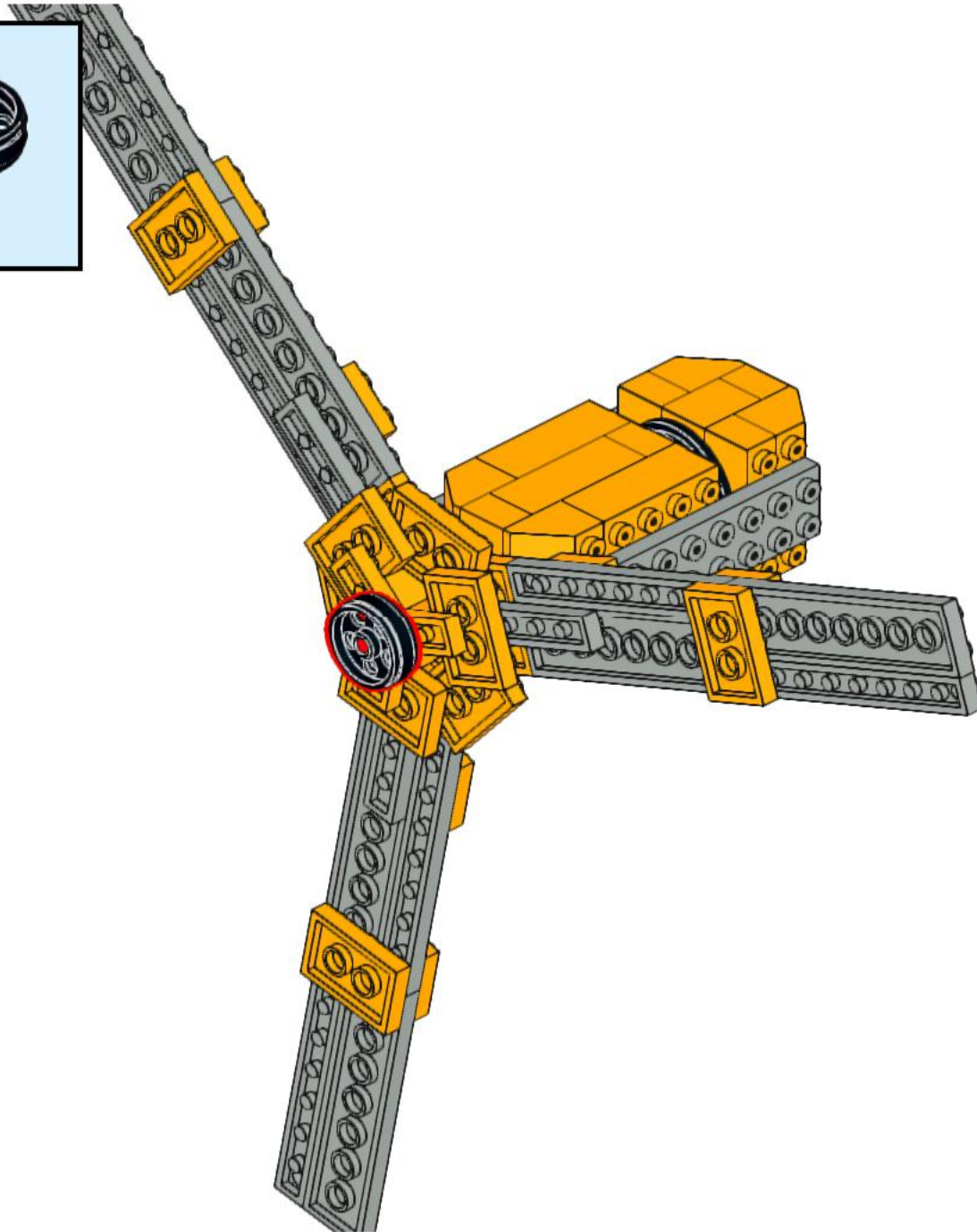
# 21



22

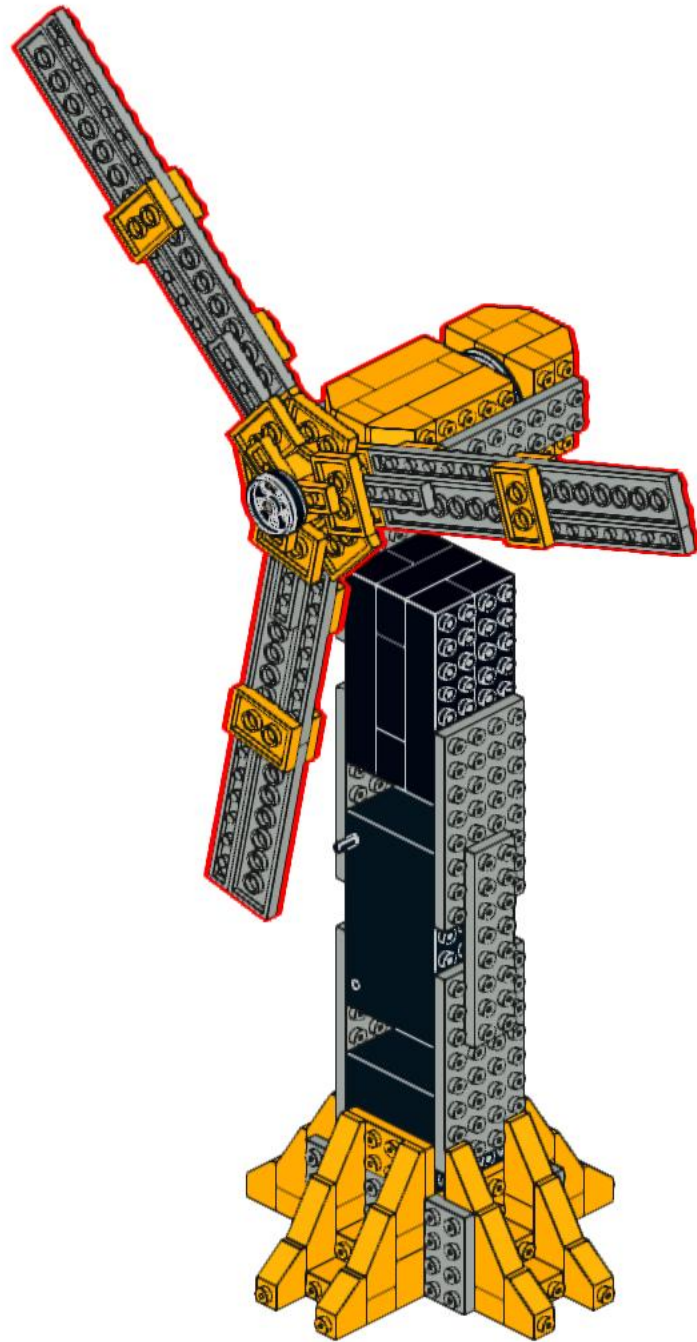


# 23

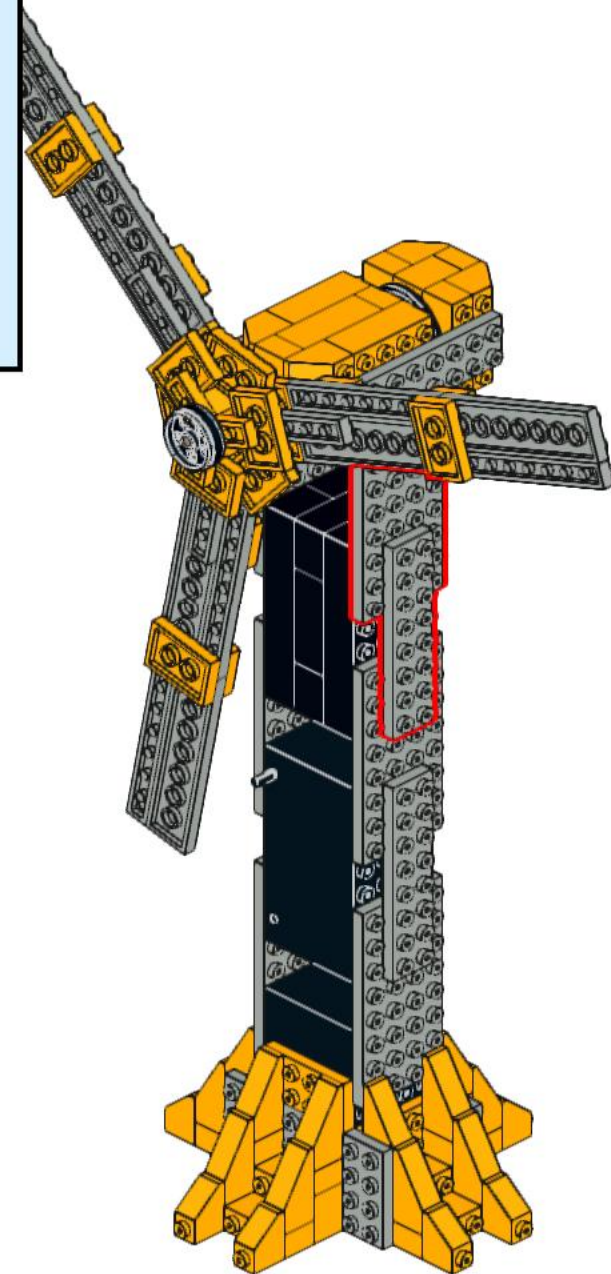
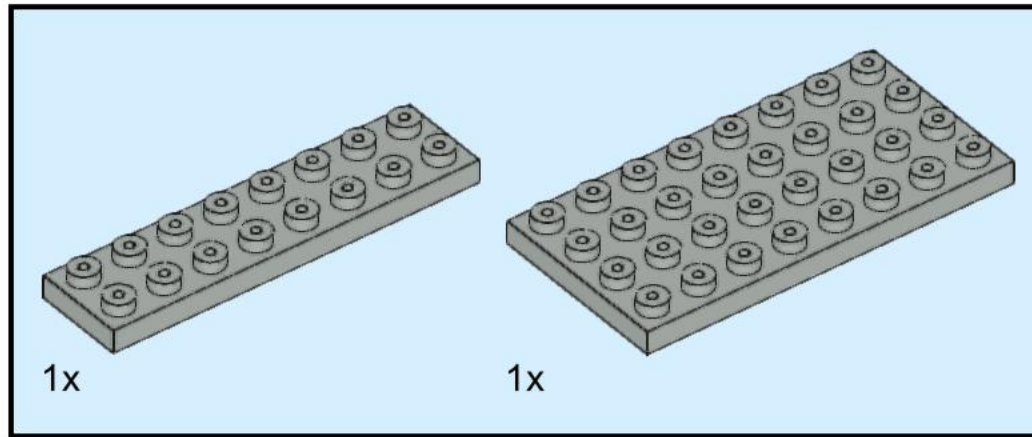




24



# 25



26

