

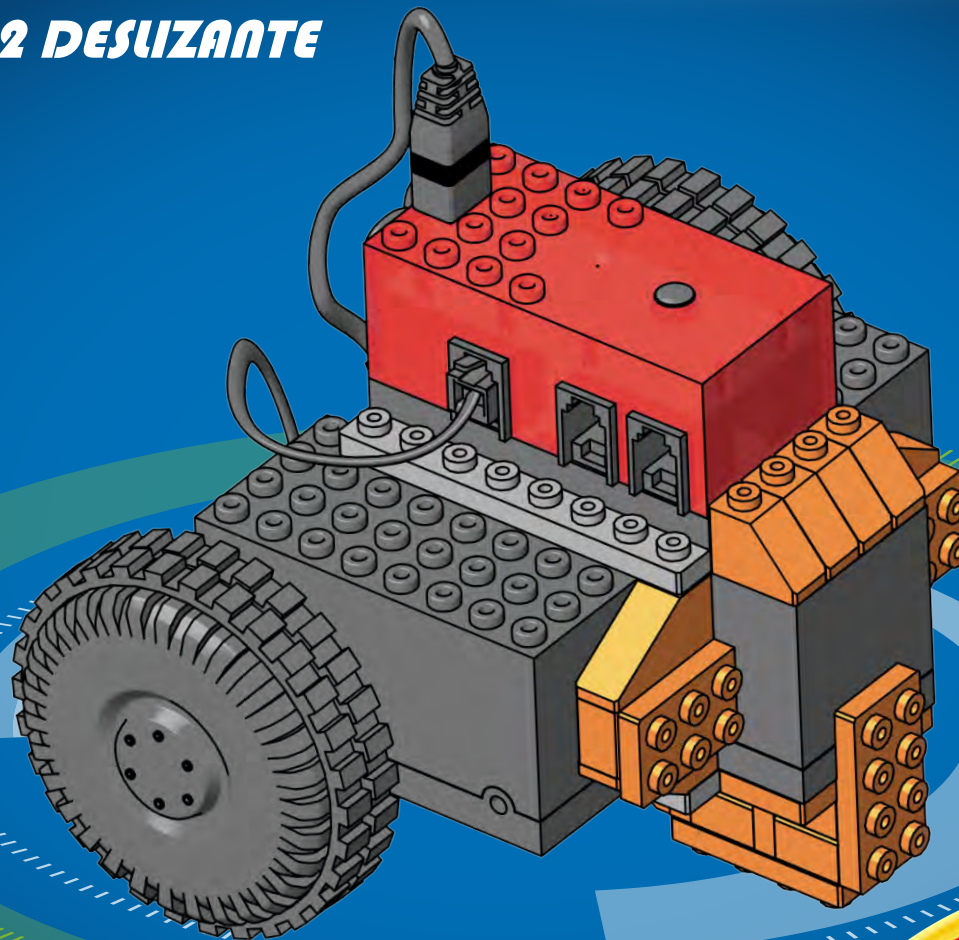
ROBOTICA



PROBOTS

QBOT 2x2 DESLIZANTE

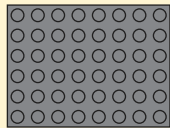
- + E-BRICK
- + 2 MOTORES Q-X4000



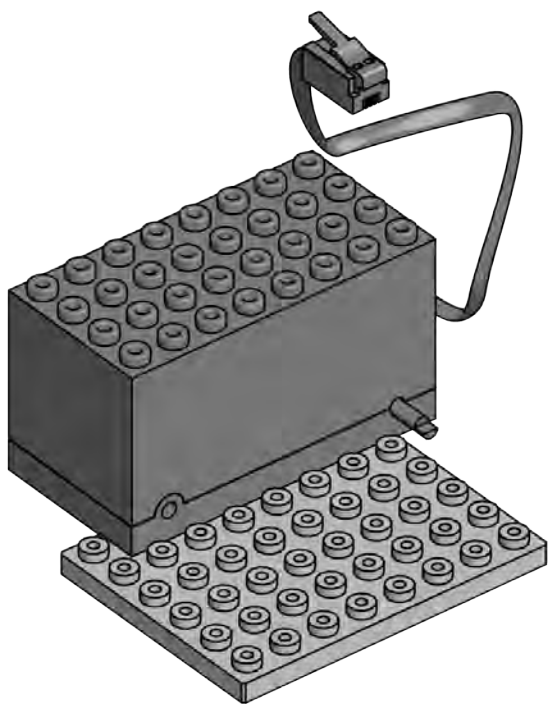
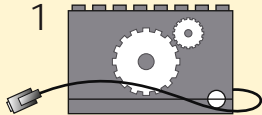
mis ladrillos

1

1



1



2

1



1



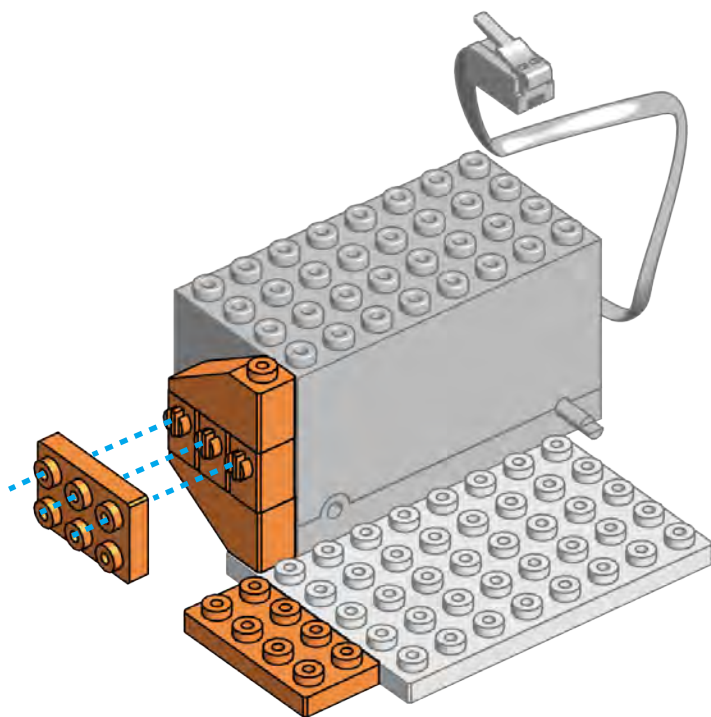
3



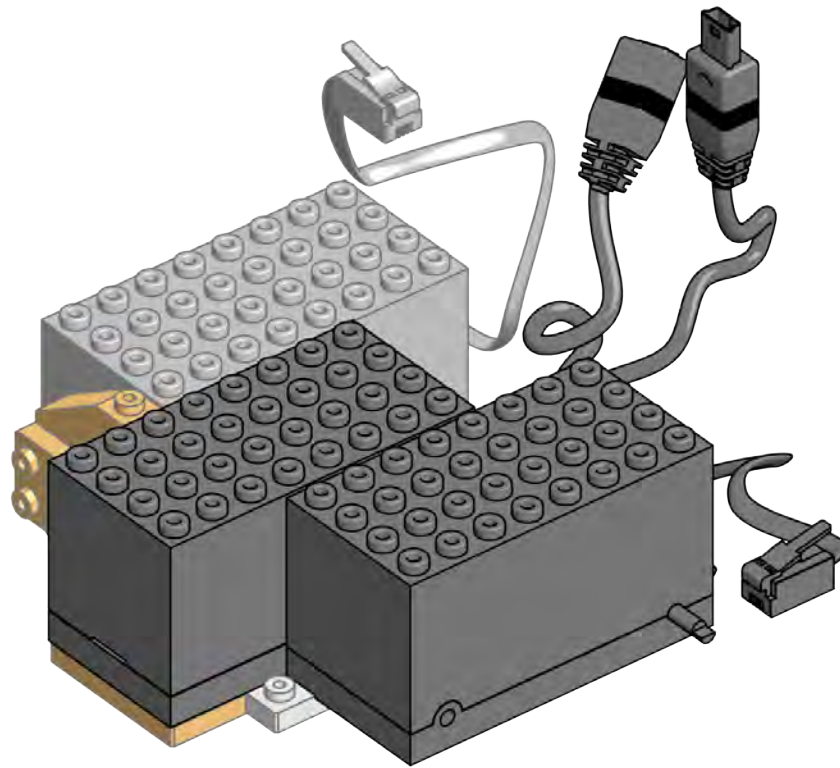
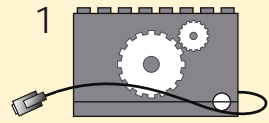
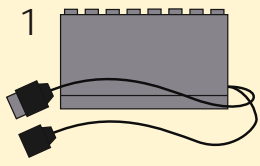
1






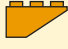

1

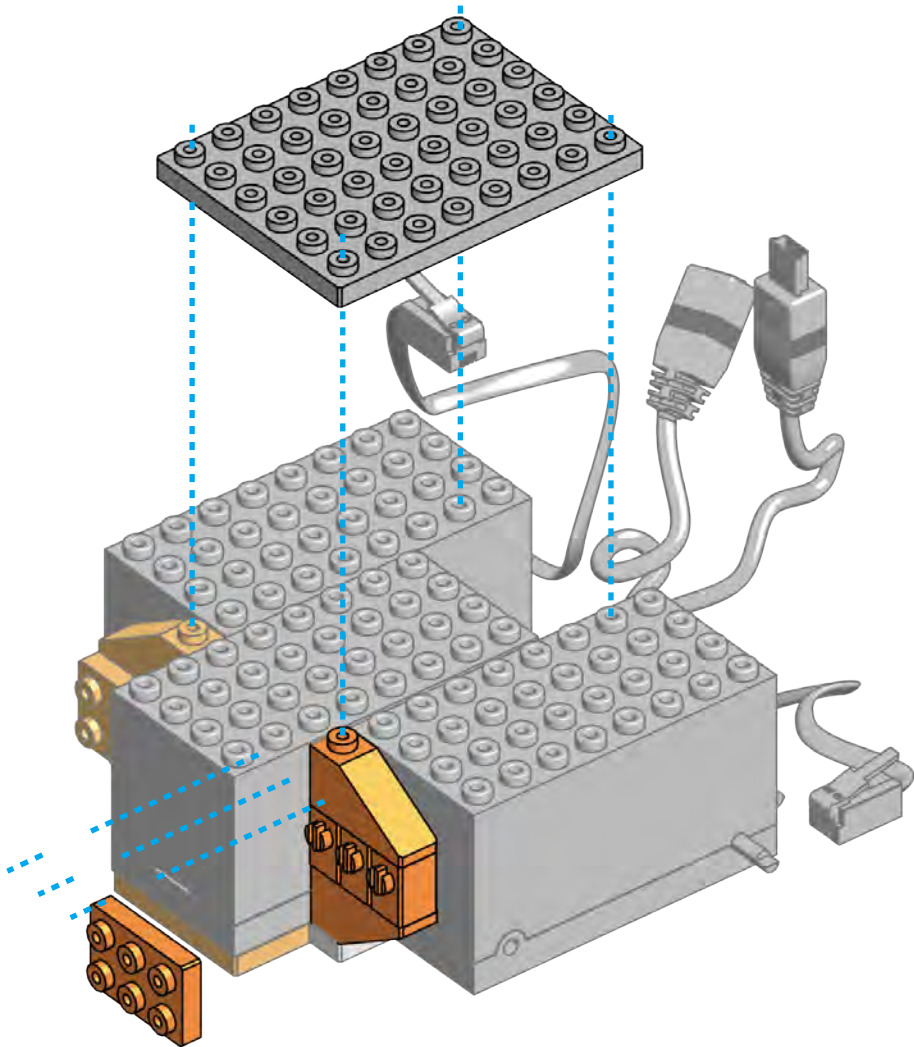


3



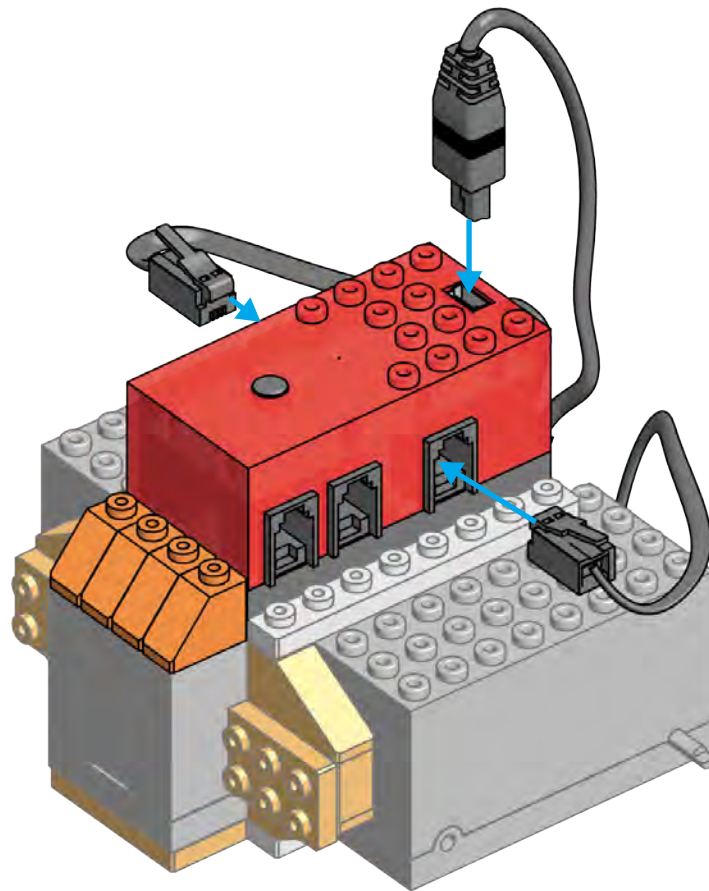
4

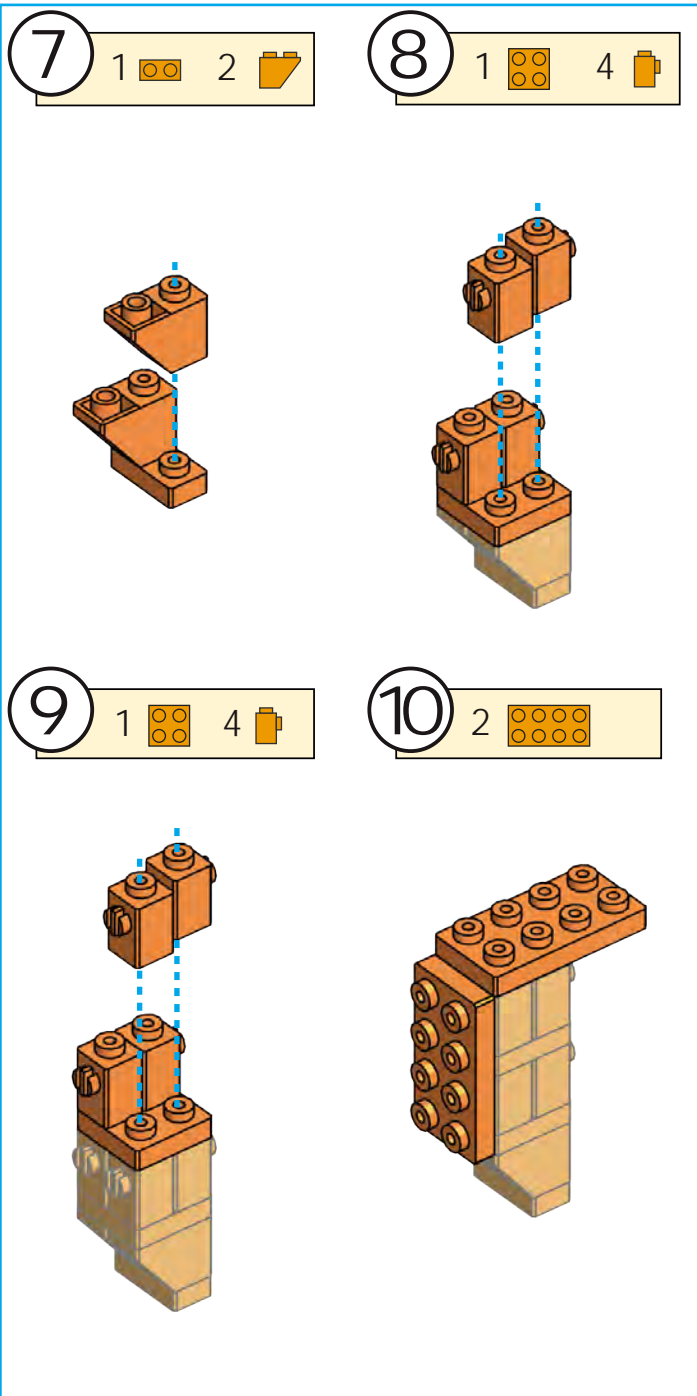
1  3  1  1  1 



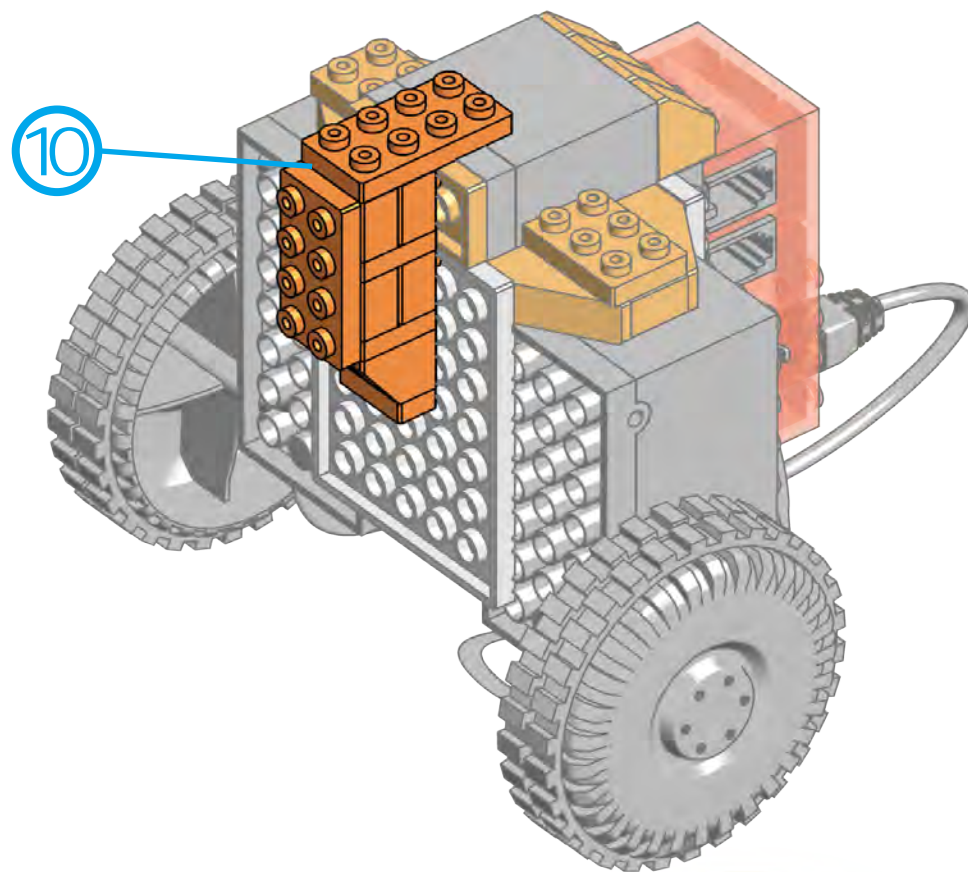
5

1  4 





11



R-500
www.misladrillos.com