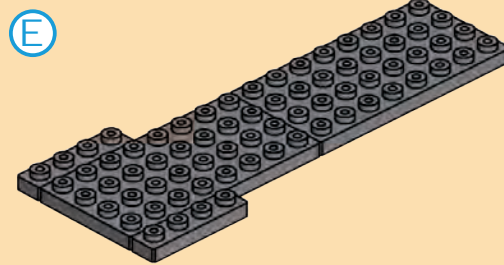
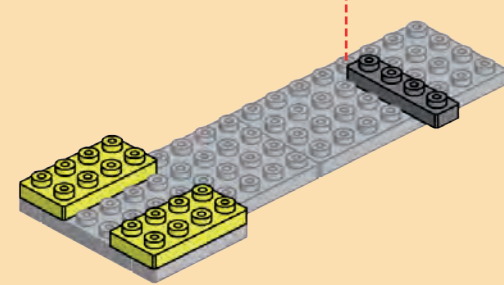


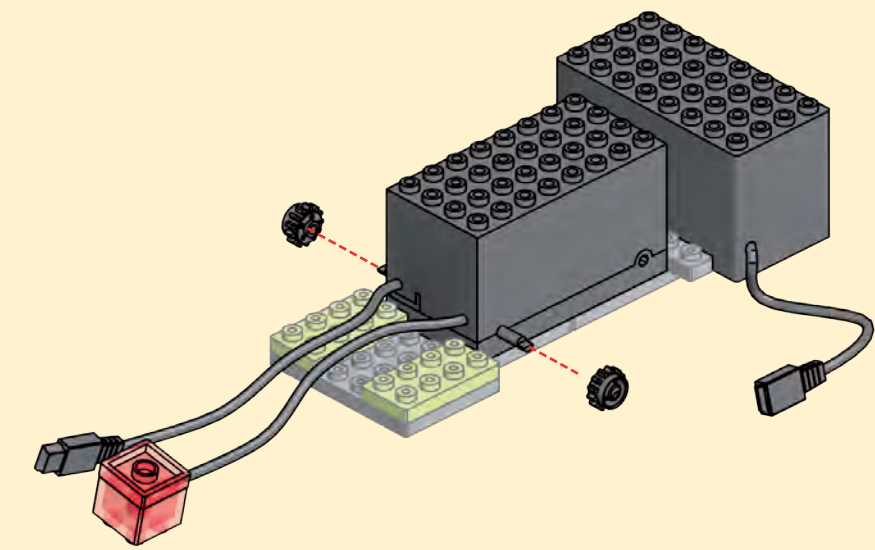
30 2 [1x10 grey plate] 2 [1x10 grey plate]



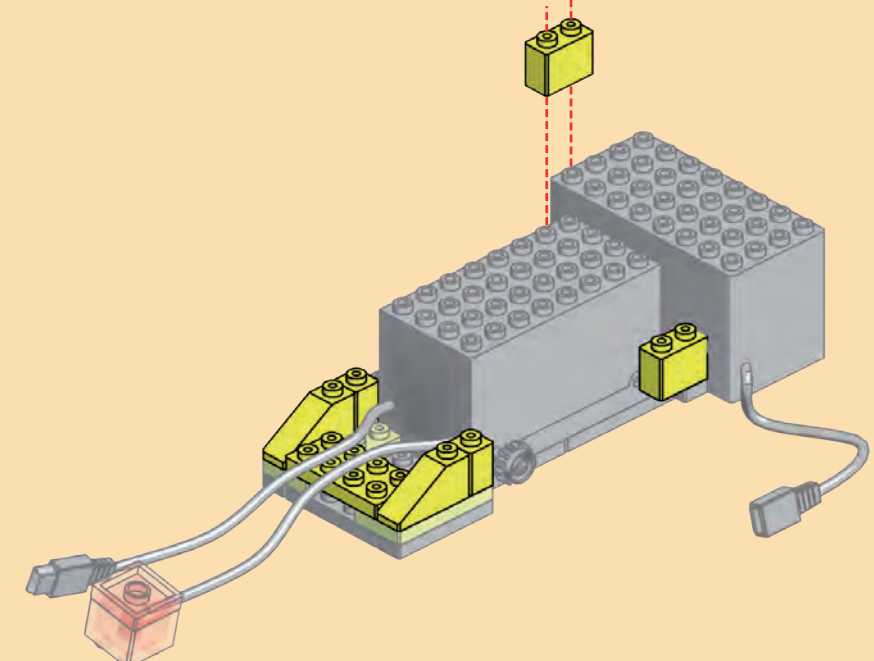
31 1 [1x10 grey plate] 1 [1x10 grey plate] 2 [1x10 grey plate]



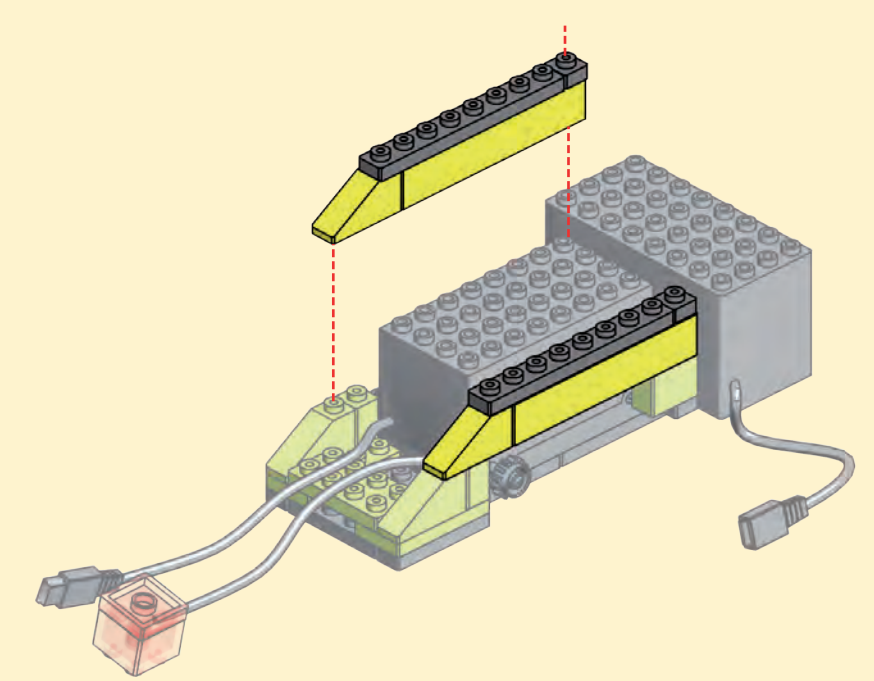
32 [1x10 grey plate] [1x10 grey plate] 2 [1x10 grey plate]



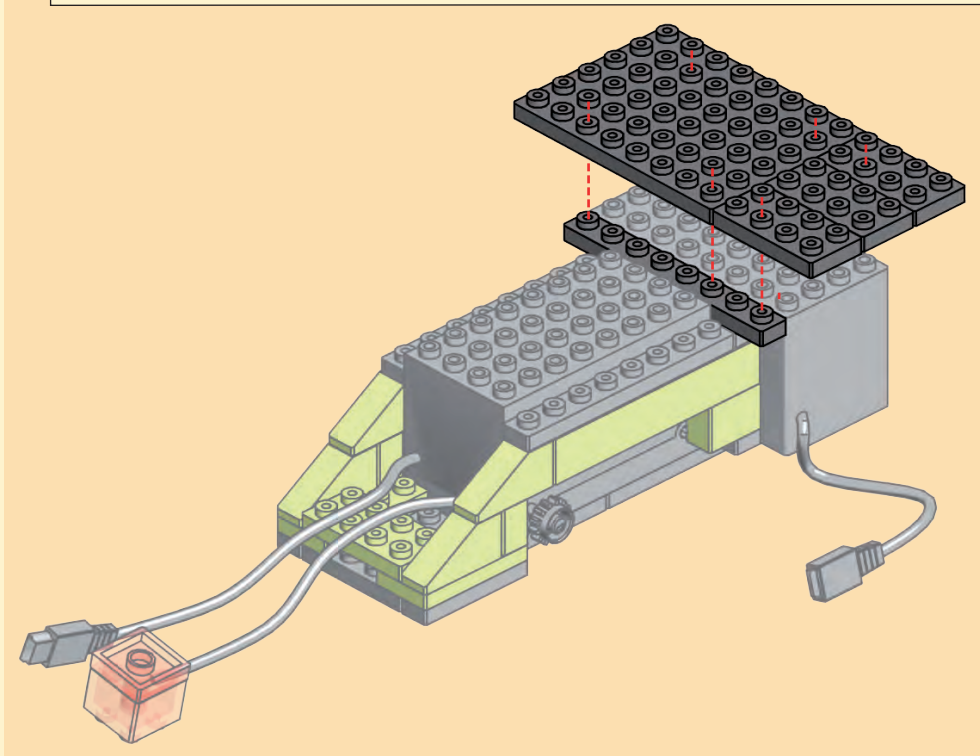
33 1 [1x10 grey plate] 2 [1x10 grey plate] 2 [1x10 grey plate] 2 [1x10 grey plate]



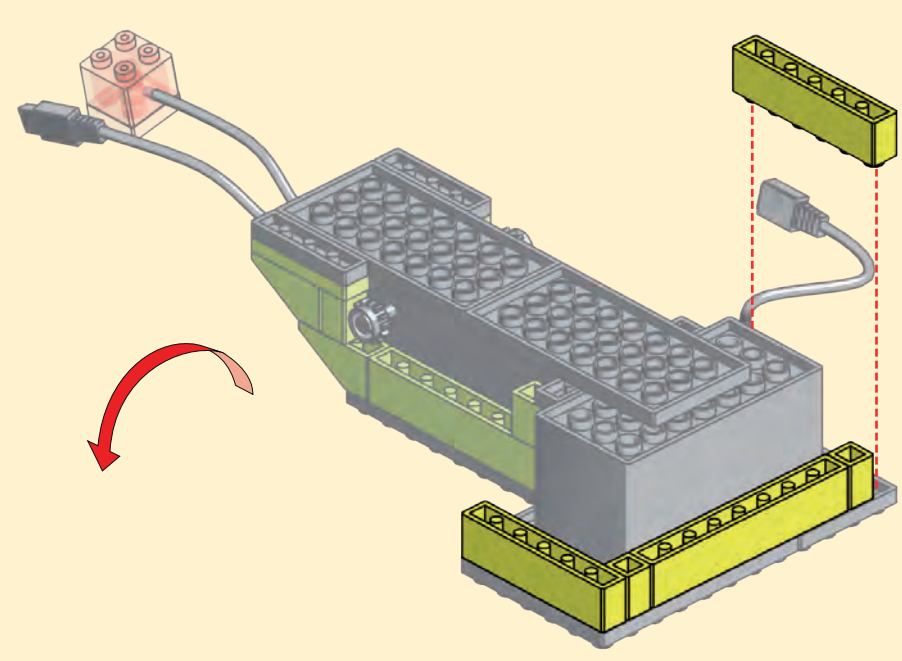
34 2 [1x10 grey plate] 2 [1x10 grey plate] 2 [1x10 grey plate] 2 [1x10 grey plate]



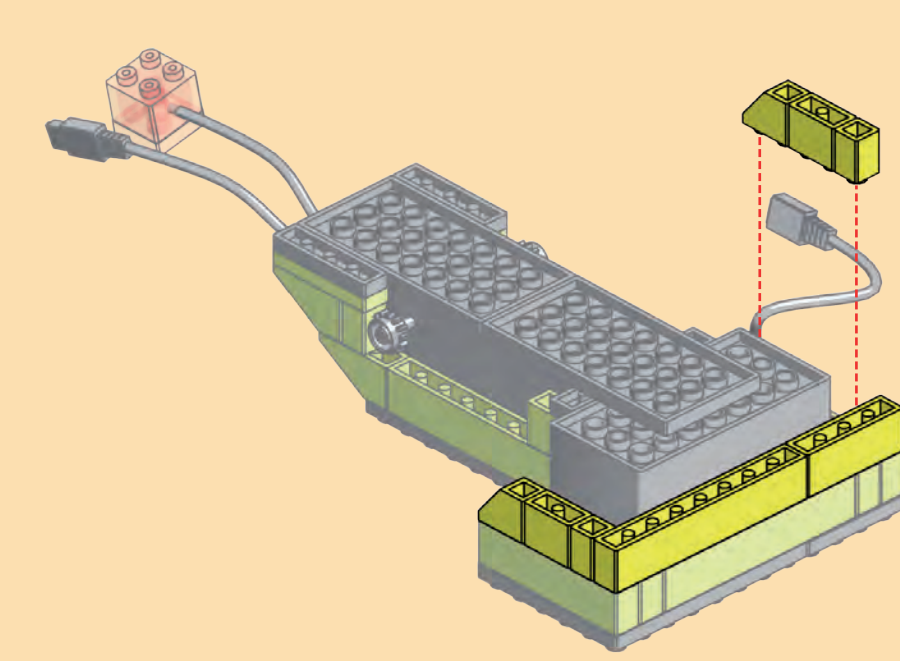
35 1 [1x10 grey plate] 3 [1x10 grey plate] 1 [1x10 grey plate]



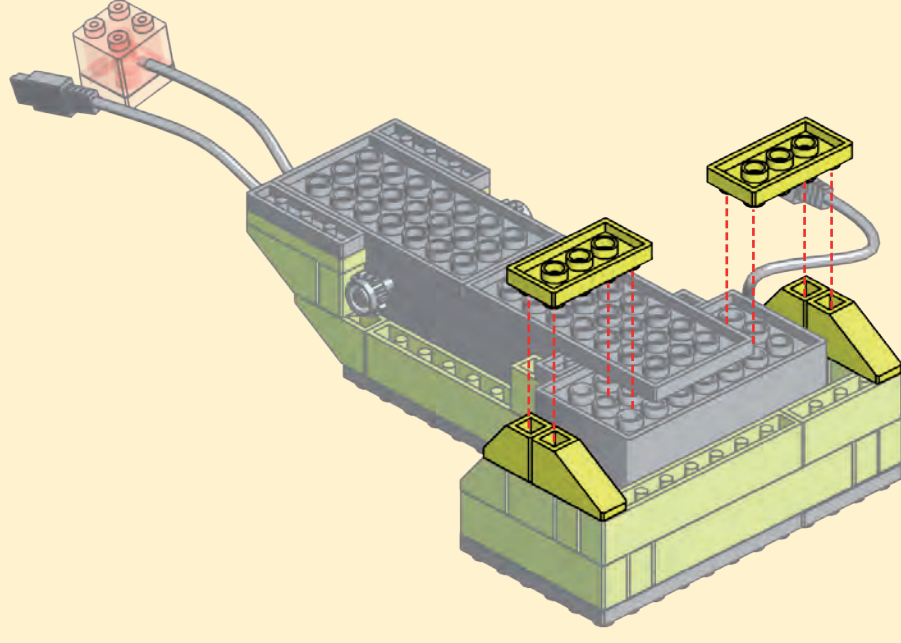
36 2 [1x10 grey plate] 2 [1x10 grey plate] 1 [1x10 grey plate]



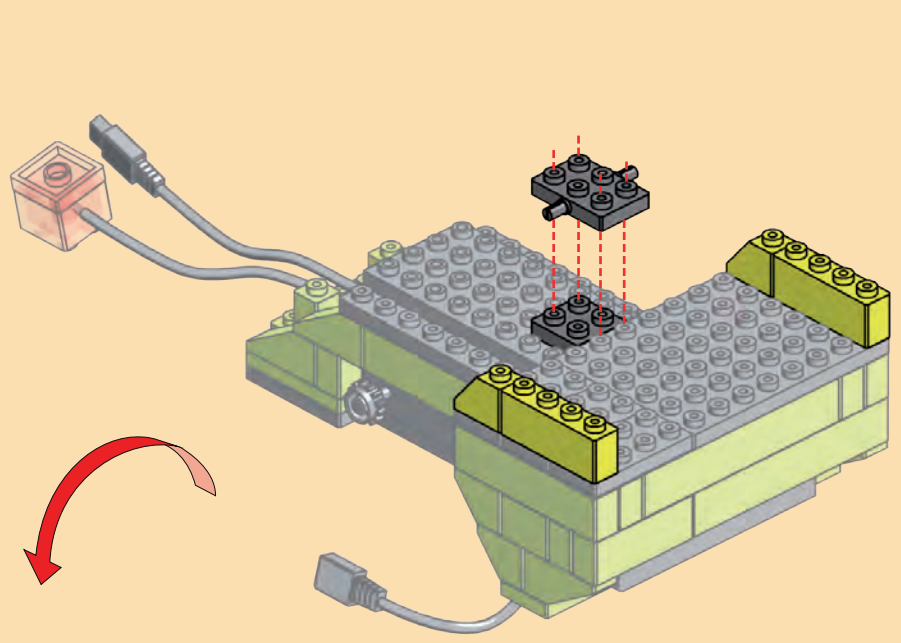
37 2 [1x10 grey plate] 2 [1x10 grey plate] 2 [1x10 grey plate] 1 [1x10 grey plate] 1 [1x10 grey plate]



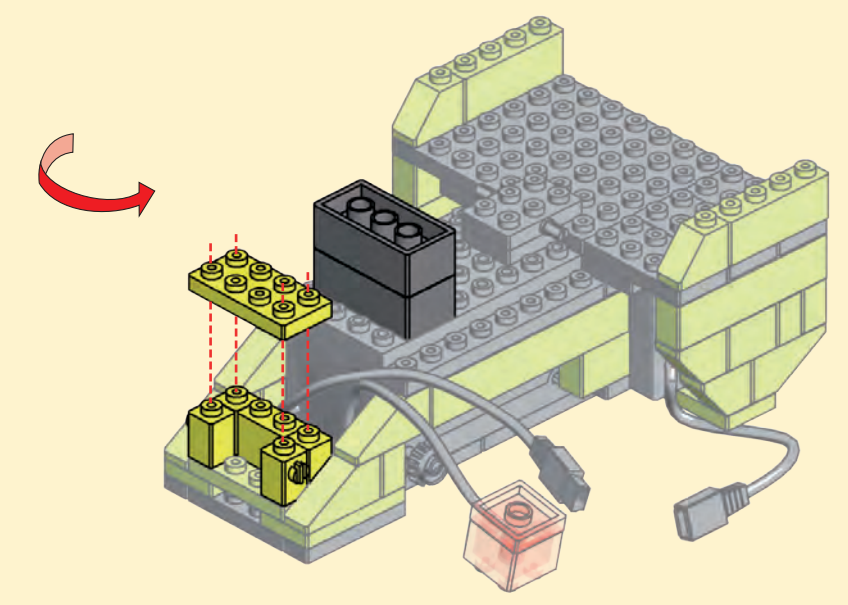
38 2 [1x10 grey plate] 2 [1x10 grey plate] 2 [1x10 grey plate]



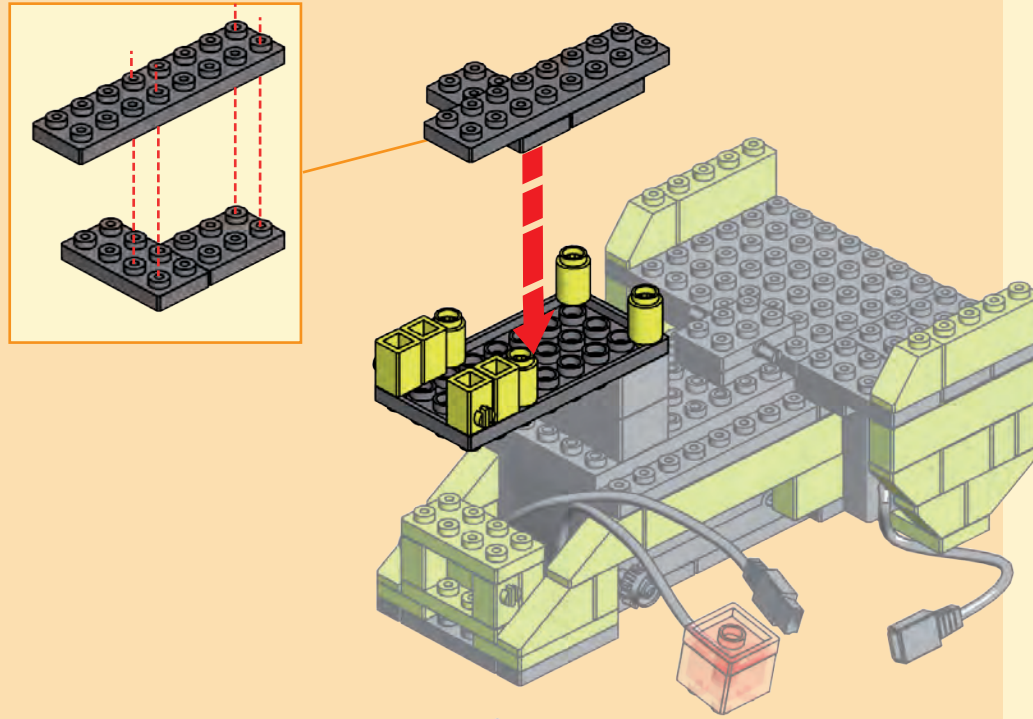
39 1 [1x10 grey plate] 1 [1x10 grey plate] 2 [1x10 grey plate] 2 [1x10 grey plate]



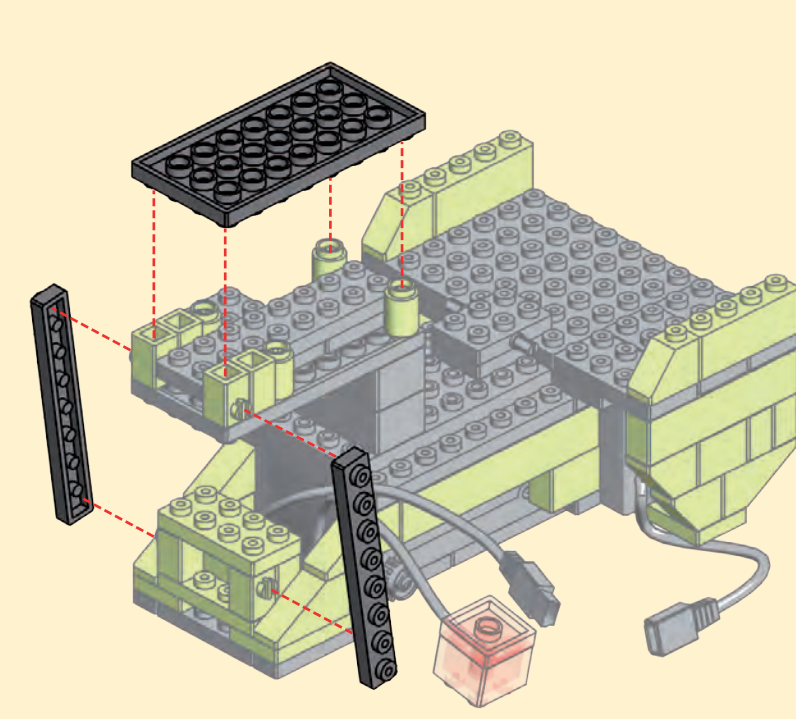
40 1 [1x10 grey plate] 1 [1x10 grey plate] 2 [1x10 grey plate] 1 [1x10 grey plate] 2 [1x10 grey plate]



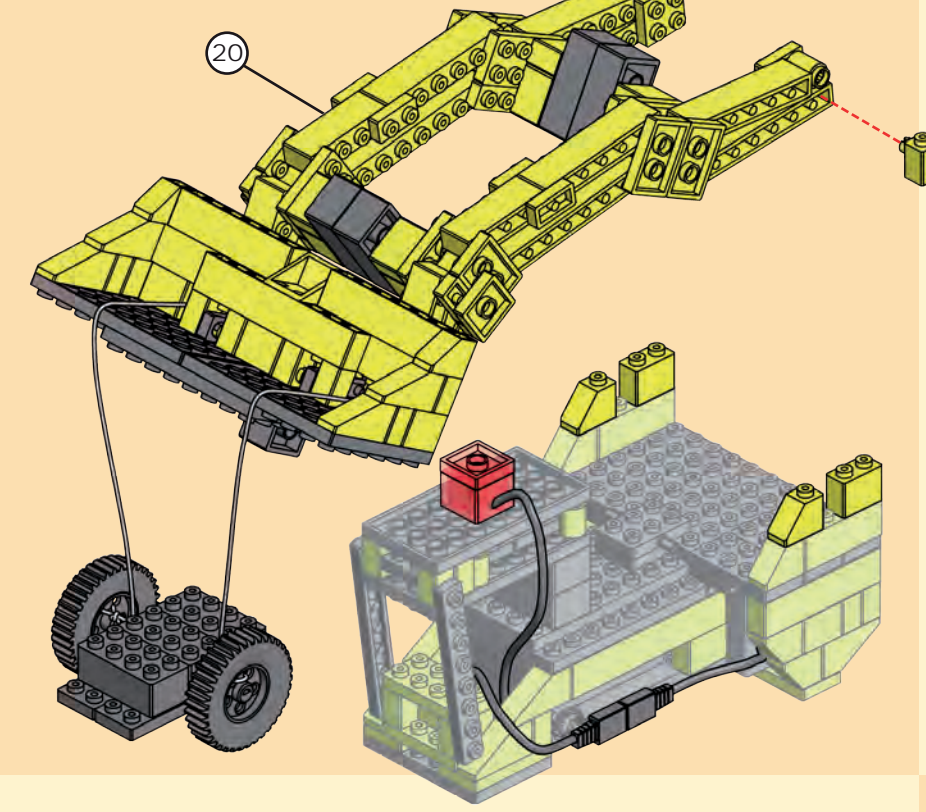
41 1 [1x10 grey plate] 1 [1x10 grey plate] 1 [1x10 grey plate] 1 [1x10 grey plate] 2 [1x10 grey plate] 4 [1x10 grey plate] 2 [1x10 grey plate]



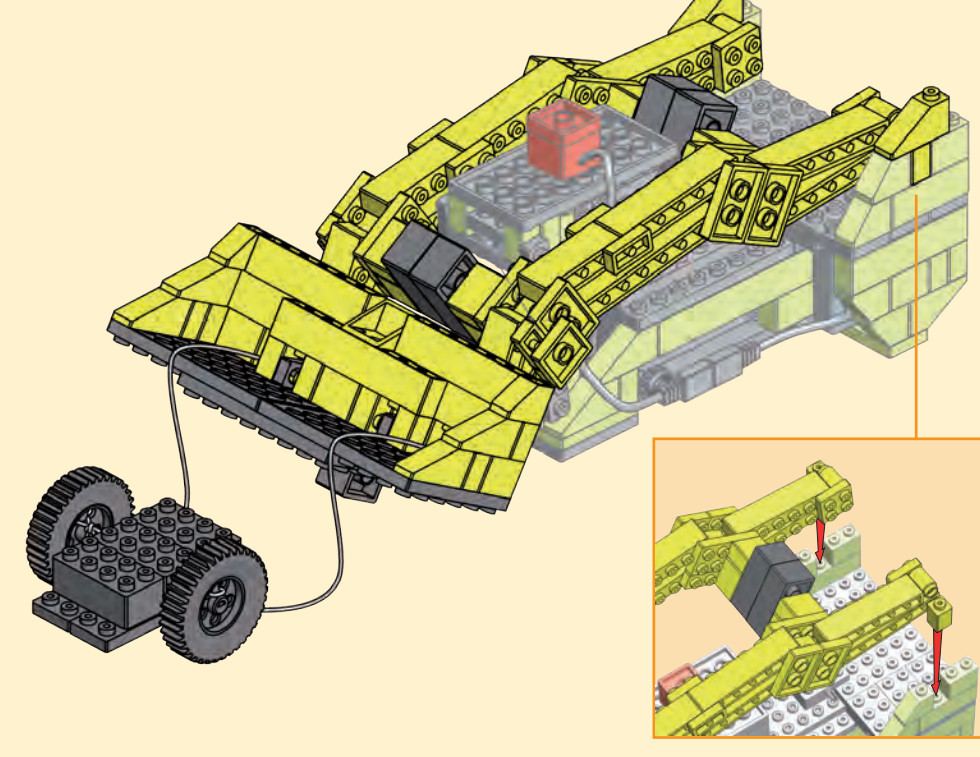
42 1 [1x10 grey plate] 2 [1x10 grey plate]



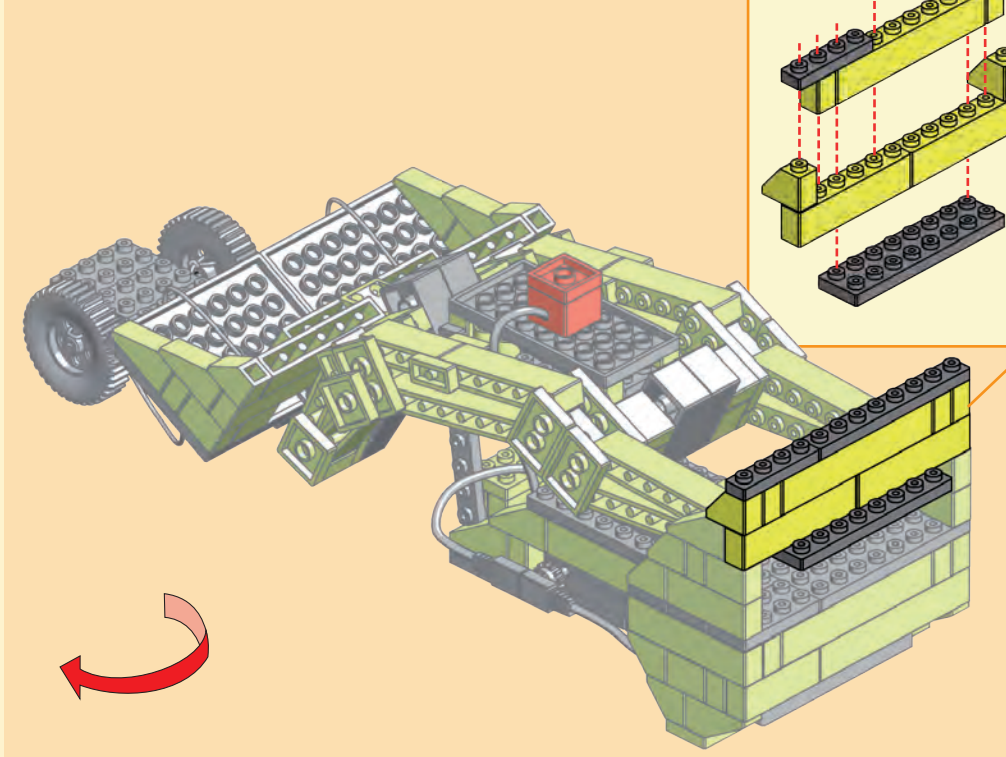
43 2 [1x10 grey plate] 2 [1x10 grey plate] 2 [1x10 grey plate]



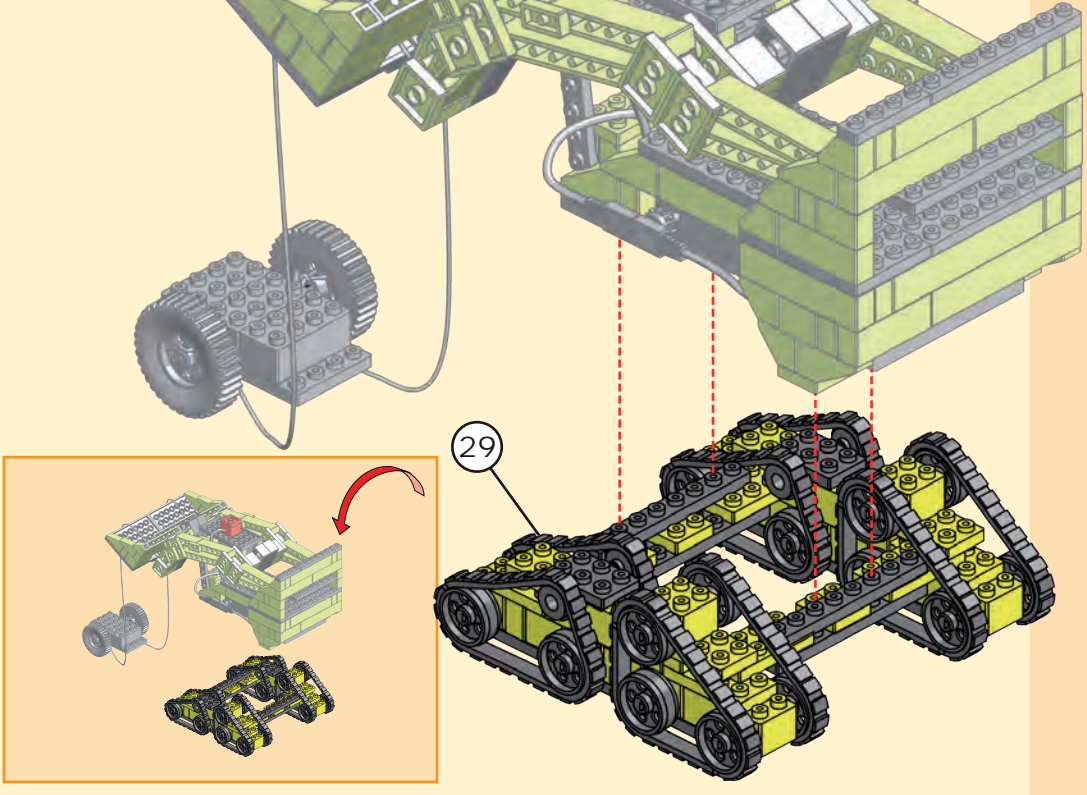
44 2 [1x10 grey plate]



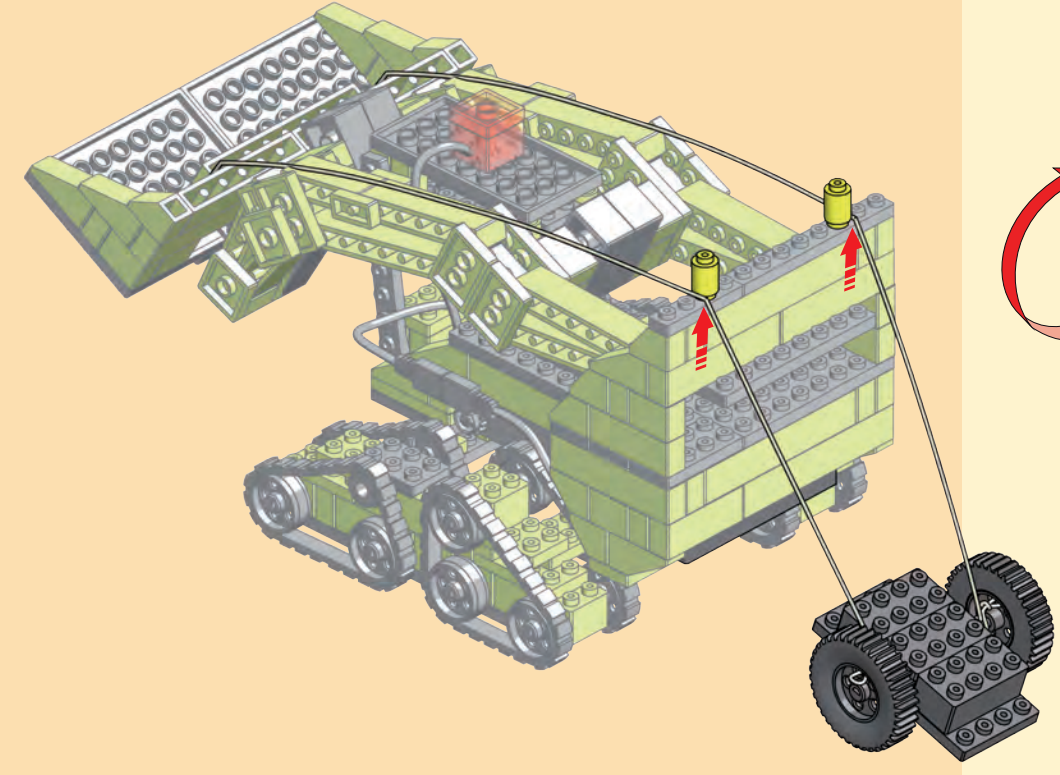
45 1 [1x10 grey plate] 1 [1x10 grey plate] 1 [1x10 grey plate] 1 [1x10 grey plate] 2 [1x10 grey plate] 2 [1x10 grey plate]



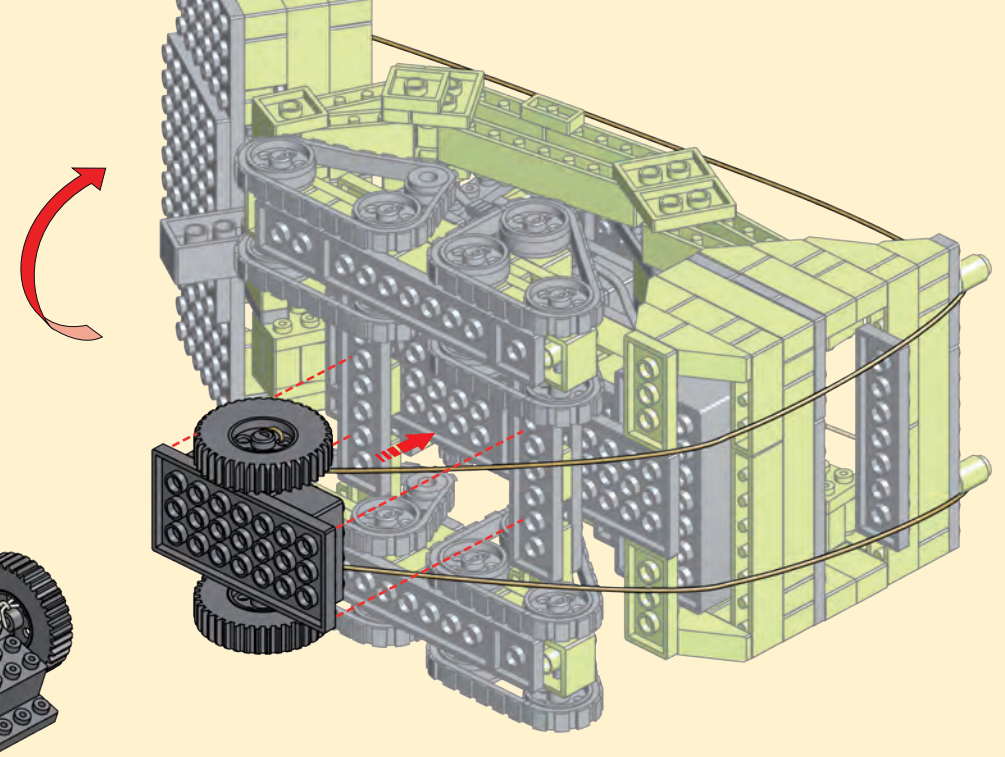
46 [1x10 grey plate] [1x10 grey plate]



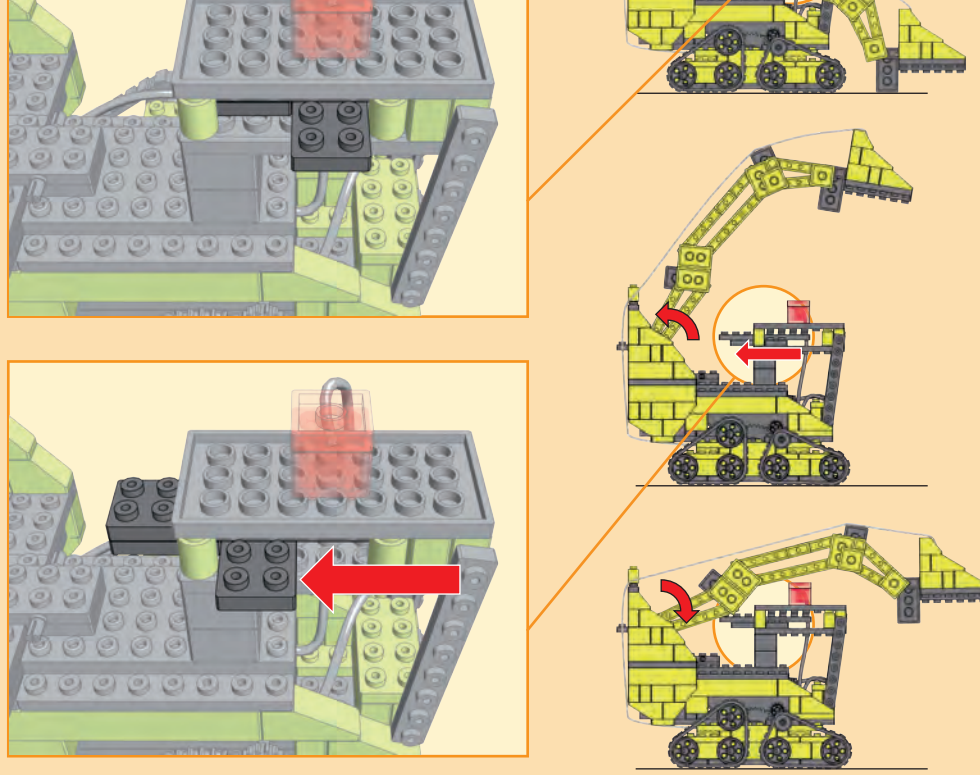
47 2 [1x10 grey plate]



48 [1x10 grey plate] [1x10 grey plate]



[1x10 grey plate] [1x10 grey plate]



49 [1x10 grey plate] [1x10 grey plate]

